


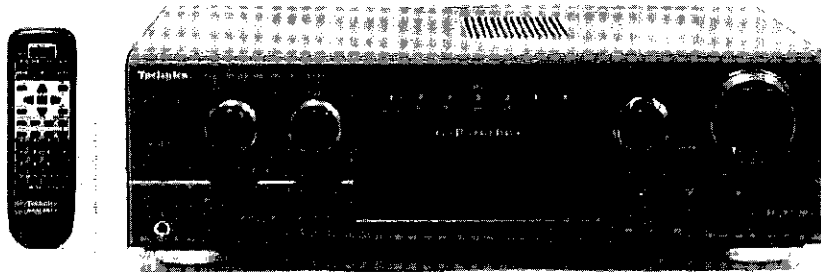
Service Manual

AV Control Stereo Receiver

Receiver

*  **DOLBY SURROUND**
PRO • LOGIC

SA-AX530



Colour

(K) . . . Black Type

Area

Suffix for Model No.	Area	Colour
(E)	Europe	(K)
(EB)	Great Britain	
(EG)	Germany and Italy	

* Manufactured under license from Dolby Laboratories Licensing Corporation. "Dolby", the double-D symbol and "PRO LOGIC" are trade marks of Dolby Laboratories Licensing Corporation.

■ Specifications

■ AMPLIFIER SECTION

Power output

DIN 1 kHz (T. H. D. 1%) 2 X 60 W (6Ω)

20 Hz-20 kHz continuous power output both channels driven 2 X 40 W (6Ω)

Total harmonic distortion
 rated power at 20 Hz - 20 kHz 0.8% (6Ω)
 half power at 1 kHz 0.07% (6Ω)

Power output at the Dolby Pro Logic operation

DIN 1 kHz (T. H. D. 1%)

Front 2 X 60 W (6Ω)

Center 60 W (6Ω)

Surround 2 X 60 W (6Ω)

Power bandwidth both channels driven,-3dB 10Hz - 40kHz (6Ω)

Damping factor 30 (6Ω)

Load impedance

Front 4-16 Ω

Center 6-16 Ω

Surround 6-16 Ω

Frequency response

PHONO RIAA standard curve(30Hz-15kHz) ± 0.8 dB

CD, TAPE, DVD, VCR, TV 10 Hz - 40 kHz, ± 3 dB

Input sensitivity and impedance

PHONO 3 mV / 47 kΩ

CD, TAPE, DVD, VCR, TV 200 mV / 22 kΩ

S/N at rated power (6Ω)

PHONO 70 dB (IHF, A : 80dB)

CD, TAPE, DVD, VCR, TV 75 dB (IHF, A : 85dB)

Tone controls

BASS 50 Hz, +10 to -10 dB

TREBLE 20 kHz, +10 to -10 dB

Output voltage TAPE REC (OUT), VCR OUT

200 mV

Channel balance (250 Hz - 6.3 kHz)

±1 dB

Channel separation

55 dB

Headphones output level and impedance

430 mV / 330Ω

Sub-Woofer frequency response

7 -100 Hz, ±3 dB

⚠ WARNING

This service information is designed for experienced repair technicians only and is not designed for use by the general public. It does not contain warnings or cautions to advise non-technical individuals of potential dangers in attempting to service a product. Products powered by electricity should be serviced or repaired only by experienced professional technicians. Any attempt to service or repair the product or products dealt with in this service information by anyone else could result in serious injury or death.

Technics®

© 1999 Matsushita Electronics (S) Pte. Ltd.
 All rights reserved. Unauthorized copying
 and distribution is a violation of law.

FM TUNER SECTION

Frequency range	87.5 — 108.0 MHz
Sensitivity	
S/N 30 dB	1.5 μ V / 75 Ω
S/N 26 dB	1.3 μ V / 75 Ω
S/N 20 dB	1.2 μ V / 75 Ω
IHF usable sensitivity (IHF' 58)	1.5 μ V / 75 Ω
IHF 46 dB stereo quieting sensitivity	22 μ V / 75 Ω
Total harmonic distortion	
MONO	0.2%
STEREO	0.3%
S/N	
MONO	60 dB (73 dB, IHF)
STEREO	58 dB (67 dB, IHF)
Frequency response 20Hz - 15 kHz	+1 dB, -2 dB
Alternate channel selectivity \pm 400 kHz	65 dB
Capture ratio	1.5 dB
Image rejection at 98MHz	40 dB
IF rejection at 98 MHz	70 dB
Spurious response rejection at 98MHz	70 dB
AM suppression	50 dB
Stereo separation	
1 kHz	40 dB
Carrier leak	
19 kHz	-30 dB (-35 dB, IHF)
38 kHz	-50 dB (-55 dB, IHF)
Channel balance (250 Hz - 6.3 kHz)	\pm 1.5 dB
Limiting point	1.2 μ V

Bandwidth	
IF amplifier	180 kHz
FM demodulator	1000 kHz
Antenna terminal(s)	75 Ω (unbalanced)

AM TUNER SECTION

Frequency range	522 - 1611 kHz (9 kHz steps) 530 - 1620 kHz (10 kHz steps)
Sensitivity	20 μ V, 330 μ V/m
Selectivity (at 999 kHz)	55 dB
IF rejection (at 999 kHz)	50 dB

VIDEO SECTION

Output voltage at 1V input (unbalanced)	1 \pm 0.1 Vp-p
Maximum input voltage	1.5 Vp-p
Input/output impedance	75 Ω

GENERAL

Power consumption	230 W (In standby mode : 2 W)
Power supply	AC 230 -240 V, 50 Hz
Dimensions (W x H x D)	430 x 136 x 320.6 mm
Weight	8.5 kg

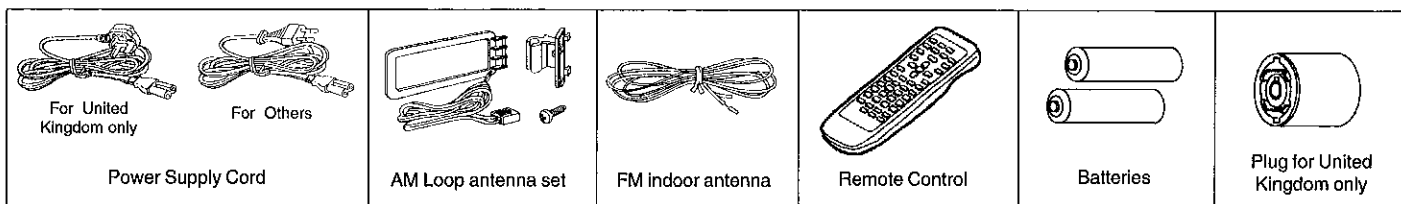
Notes :

- Specifications are subject to change without notice. Weight and dimensions are approximate.
- Total harmonic distortion is measured by the digital spectrum analyzer.

Contents

	PAGE		PAGE
• Accessories	2	• Terminal Functions of IC's	16
• Before Repair & Adjustment / Protection Circuitry	2	• Type Illustration of IC's Transistors and Diodes	17
• Caution For AC Mains Leads	3	• Wiring Connection Diagram	18
• Front Panel Controls	4	• Block Diagram	19 ~23
• Basic Operations	5	• Schematic Diagram	24 ~ 38
• Dolby Pro Logic	6 ~ 9	• Printed Circuit Board	39 ~ 46
• Making A Recording	10	• Cabinet Parts Locations	47
• Using the Remote Control	11	• Replacement Parts List	48 ~ 50
• Operations Checks	12 ~ 15	• Resistors & Capacitors	51 ~ 55
		• Packing Materials & Accessories	56
		• Packaging	56

Accessories



Before Repair and Adjustment

Disconnect AC power, discharge Power Supply Capacitors C703, C704, C705 and C706 through a 10 Ω , 5W resistor to ground. DO NOT SHORT-CIRCUIT DIRECTLY (with a screwdriver blade, for instance), as this may destroy solid state devices. After repairs are completed, restore power gradually using a variac, to avoid overcurrent. Current consumption at AC 230 - 240 V, 50Hz in NO SIGNAL mode should be 240 ~ 330 mA.

Protection Circuitry

The protection circuitry may have operated if either of the following conditions are noticed :

- No sound is heard when the power is turned on.
- Sound stops during a performance.

The function of this circuitry is to prevent circuitry damage if, for example, the positive and negative speaker connection wires are "shorted", or if speaker systems with an impedance less than the indicated rated impedance of the amplifier are used.

If this occurs, follow the procedure outlines below:

1. Turn off the power.
2. Determine the cause of the problem and correct it.
3. Turn on the power once again after one minute.

Note:

When the protection circuitry functions, the unit will not operate unless the power is first turned off and then on again.

Caution for AC Mains Lead



(For "EB" area code model only.)

For your safety, please read the following text carefully.

This appliance is supplied with a moulded three pin mains plug for your safety and convenience.

A 5-ampere fuse is fitted in this plug.

Should the fuse need to be replaced please ensure that the replacement fuse has a rating of 5-ampere and that it is approved by ASTA or BSI to BS1362.

Check for the ASTA mark  or the BSI mark  on the body of the fuse.

If the plug contains a removable fuse cover you must ensure that it is refitted when the fuse is replaced.

If you lose the fuse cover, the plug must not be used until a replacement cover is obtained.

A replacement fuse cover can be purchased from your local dealer.

CAUTION !

IF THE FITTED MOULDED PLUG IS UNSUITABLE FOR THE SOCKET OUTLET IN YOUR HOME THEN THE FUSE SHOULD BE REMOVED AND THE PLUG CUT OFF AND DISPOSED OFF SAFELY.

THERE IS A DANGER OF SEVERE ELECTRICAL SHOCK IF THE CUT OFF PLUG IS INSERTED INTO ANY 13-AMPERE SOCKET.

If a new plug is to be fitted, please observe the wiring code as shown below.

If in any doubt please consult a qualified electrician.

IMPORTANT

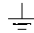
The wires in this mains lead are coloured in accordance with the following code:

Blue: Neutral
Brown: Live

As these colours may not correspond with the coloured markings identifying the terminals in your plug, proceed as follows:

The wire which is coloured Blue must be connected to the terminal which is marked with the letter N or coloured Black or Blue.

The wire which is coloured Brown must be connected to the terminal which is marked with the letter L or coloured Brown or Red.

WARNING: DO NOT CONNECT EITHER WIRE TO THE EARTH TERMINAL WHICH IS MARKED WITH THE LETTER E, BY THE EARTH SYMBOL  OR COLOURED GREEN OR GREEN/YELLOW.

THIS PLUG IS NOT WATERPROOF—KEEP DRY.

Before use

Remove the connector cover.

How to replace the fuse

The location of the fuse differ according to the type of AC mains plug (figures A and B). Confirm the AC mains plug fitted and follow the instructions below.

Illustrations may differ from actual AC mains plug.

1. Open the fuse cover with a screwdriver.

Figure A

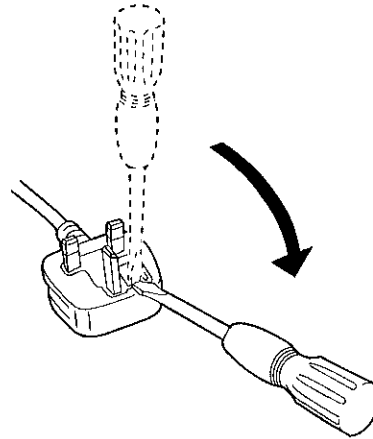
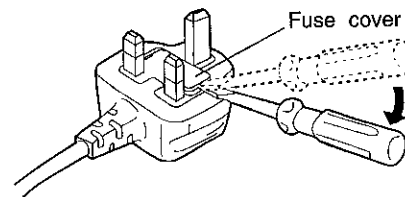


Figure B



2. Replace the fuse and close or attach the fuse cover.

Figure A

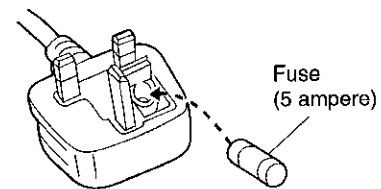
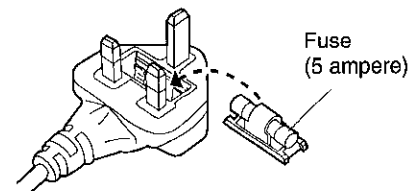
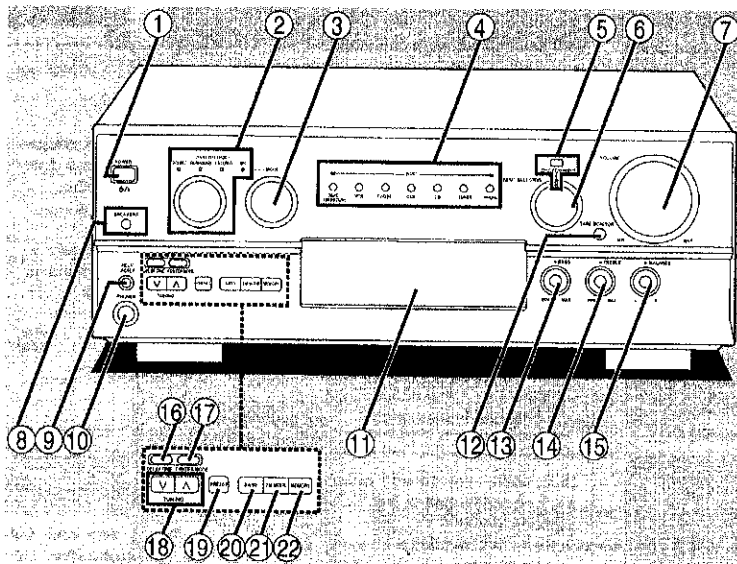


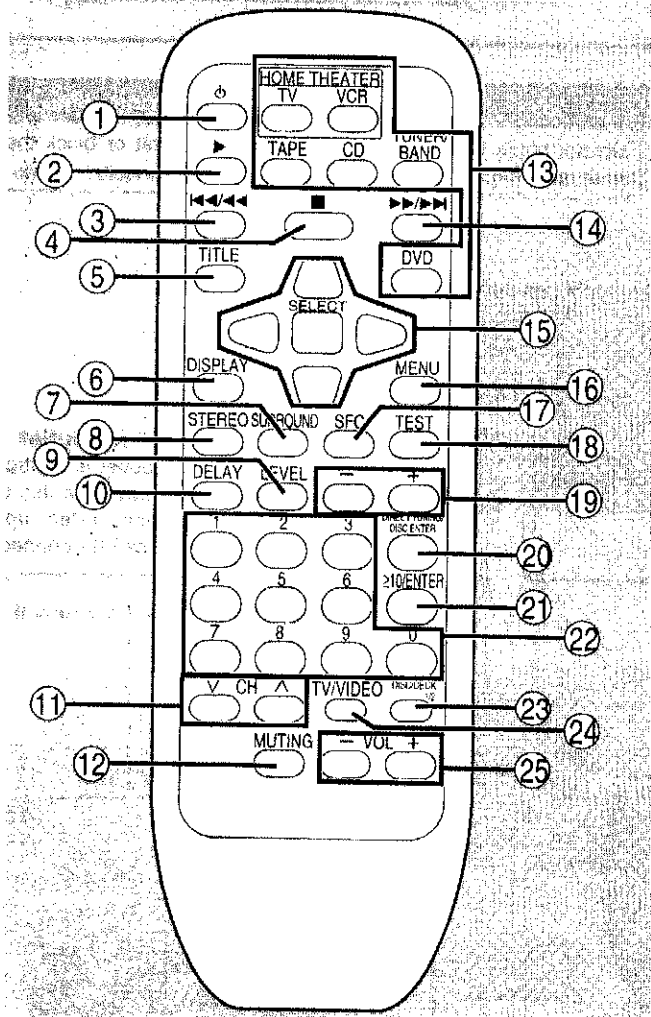
Figure B



Front Panel Controls



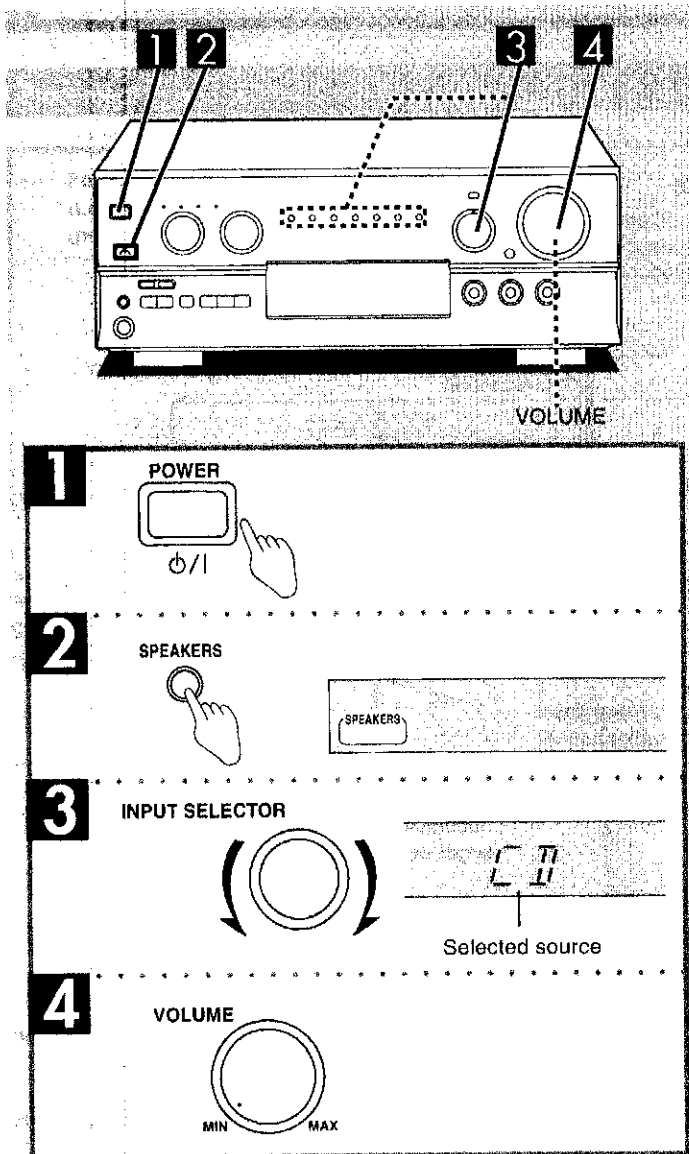
- | No. | Name |
|-----|---|
| ① | Power "⏻/⏻" switch (POWER, ⏻/⏻)
Press to switch the unit from on to standby mode or vice versa. In standby mode, the unit is still consuming a small amount of power. |
| ② | Sound mode selector/indicators |
| ③ | SFC mode selector (MODE) |
| ④ | Input indicators |
| ⑤ | DVD 6ch input select button/indicator (DVD 6CH INPUT) |
| ⑥ | Input selector (INPUT SELECTOR) |
| ⑦ | Volume control (VOLUME) |
| ⑧ | Speaker button (SPEAKERS) |
| ⑨ | Help/reset button (-HELP -RESET) |
| ⑩ | Headphones jack (PHONES) |
| ⑪ | Display |
| ⑫ | Tape monitor button (TAPE MONITOR) |
| ⑬ | Bass control (BASS) |
| ⑭ | Treble control (TREBLE) |
| ⑮ | Balance control (BALANCE) |
| ⑯ | Delay time adjust button (DELAY TIME) |
| ⑰ | Center mode select button (CENTER MODE) |
| ⑱ | Tuning buttons (TUNING ∇, △) |
| ⑲ | Radio station presetting button (PRESET) |
| ⑳ | Band select button (BAND) |
| ㉑ | FM mode select button (FM MODE) |
| ㉒ | Memory button (MEMORY) |



Remote control

- | | |
|---|---|
| ① | Power button (⏻) |
| ② | ▶ button (▶) |
| ③ | ◀◀/▶▶ button (◀◀/▶▶) |
| ④ | ■ button (■) |
| ⑤ | Title button (TITLE) |
| ⑥ | Display button (DISPLAY) |
| ⑦ | Dolby Pro Logic surround select button (SURROUND) |
| ⑧ | Dolby Pro Logic/SFC off button (STEREO) |
| ⑨ | Speaker channel select button (LEVEL) |
| ⑩ | Delay time button (DELAY) |
| ⑪ | Channel up/down buttons (∇CH△) |
| ⑫ | Muting button (MUTING) |
| ⑬ | Input select buttons (TV, VCR, TAPE, CD, TUNER/BAND, DVD) |
| ⑭ | ▶▶/▶▶ button (▶▶/▶▶) |
| ⑮ | Cursor/select buttons |
| ⑯ | Menu button (MENU) |
| ⑰ | SFC mode select button (SFC) |
| ⑱ | Test button (TEST) |
| ⑲ | Delay time/level adjust buttons (-, +) |
| ⑳ | Direct tuning/disc enter button (DIRECT TUNING/DISC ENTER) |
| ㉑ | ≥10 button (≥10) |
| ㉒ | Numeric buttons |
| ㉓ | Disc/deck 1/2 select button (DISC/DECK 1/2) |
| ㉔ | TV/video select button (TV/VIDEO) |
| ㉕ | Volume buttons (-VOL+) |

Basic Operations



Before operation, set VOLUME to the "MIN" position.

- 1 Press [POWER].**
- 2 Press [SPEAKERS] and check the "SPEAKERS" indication lights up.**
If the button is pressed once more, the indicator will switch off and no sound will be heard from the speakers.
- 3 Turn [INPUT SELECTOR] to select and start the desired source.**
(Refer to the appropriate operating instructions for details.)

The indicator which corresponds to the selected input source will illuminate.

The selected source will be shown on the display.

TAPE (MONITOR): To listen to cassette tapes

VCR: To watch video tapes

TV/DSS: To watch TV or DSS

DVD: To watch DVD

CD: To listen to compact discs

TUNER: To listen to radio broadcasts

PHONO: To listen to phono discs

If a Dolby Pro Logic or SFC mode has been selected

After displaying the selected source, the display will then change to show the Dolby Pro Logic or SFC mode.

If the source chosen was TUNER then the display will change again to show the frequency.

Note

To watch a video (or DVD) or the TV, set the TV to either the TV mode or VIDEO mode.

For your reference

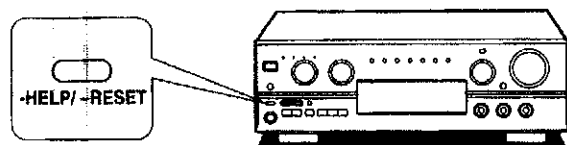
If you are using a VCR and you select TAPE, CD, TUNER, or PHONO, the picture will remain on the screen.

- 4 Adjust the volume.**

When you finish listening

Be sure to reduce the volume level, and switch the power to the standby condition by pressing [POWER].

About the HELP function



If you make a mistake in operation or if sound output stops due to some operation which was performed, the HELP function displays information which can be useful for indicating the method by which this condition can be remedied.

If "ERROR" or scrolling characters (for instance, "SPEAKER OFF NOW") appear on the display during operation, carry out the following operation.

Press [-HELP/-RESET].

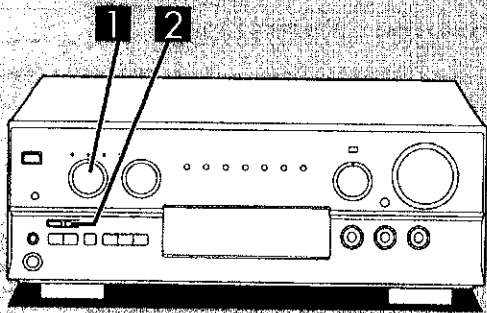
The method for remedying this situation will be displayed.

For your reference

If the above button is pressed for 2 seconds or more until "RESET" appears on the display, the operation settings for the unit will be initialized to the settings made at the time of shipment.

However, any broadcasting stations which have been preset into memory will not be erased at this time.

Dolby Pro Logic



1 Turn the sound mode selector to select "SURROUND".

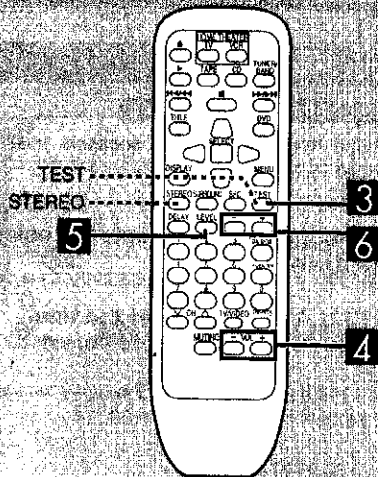
2 Press [CENTER MODE] to select the correct center mode.

3 Press [TEST] to output a test signal.

4 Press [VOL (-) or (+)] to set the volume level normally used for enjoying the source.

5 Press [LEVEL] to select the center or surround speakers.

6 Press [-] or [+] to adjust the output level.



Setting the center mode and adjusting speaker output level

- When ready to adjust speaker output level, situate yourself where you would normally be listening.
- First turn ON the speakers with [SPEAKERS] on the receiver.
- If front speaker volume is unbalanced, adjust the balance with [BALANCE].

The following steps are for setting the output level of the front speakers and the center/surround speakers to the same listening level.

1 Turn the sound mode selector to select "SURROUND".

Note

1. Select "3 STEREO" if surround speakers have not been connected.
2. Remember you cannot adjust the output level of the surround speakers if you selected "3 STEREO" mode.

2 Press [CENTER MODE] to select the correct center mode.

When the button is pressed, the current center mode is displayed. Pressing it again changes the center mode.

NORMAL

When the center speaker is smaller than the front speakers.

WIDEBAND

When the center speaker is the same size as or larger than the front speakers.

PHANTOM **SURROUND mode only**

When no center speaker is connected.

Note

In the PHANTOM mode, the sound which would have been sent to the center speaker will be divided equally between both the left and right front speakers.

by remote control only

3 Press [TEST] to output a test signal.

The speaker outputting the test signal is displayed while the test is running.

L : Front speaker (Left) R : Front speaker (Right)
C : Center speaker S : Surround speakers

The subwoofer is muted while testing.

In the PHANTOM mode, the center speaker is OFF, so there is no center test signal and "C" is not displayed.

4 Press [VOL (-) or (+)] to set the volume level normally used for enjoying the source.

5 Press [LEVEL] to select the center or surround speakers.

6 Press [-] or [+] to adjust the output level.

Adjust the output level of each speaker from the listening position until they are all identical.

- : Decrease the output level.

+ : Increase the output level.

Output level can be varied within a range of -12 dB to +12 dB with front speaker output level serving as the zero point.

Note

During steps 5 and 6 above the test signal sequence is interrupted and the signal will only come from the selected speaker.

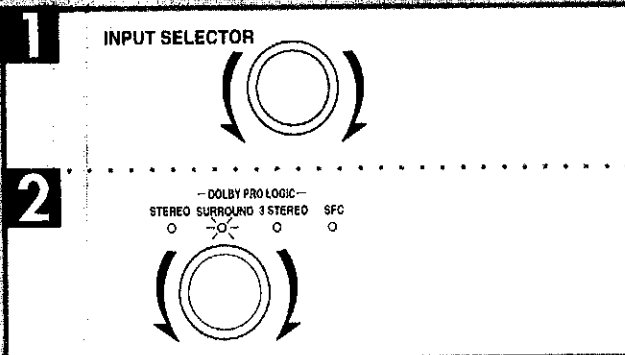
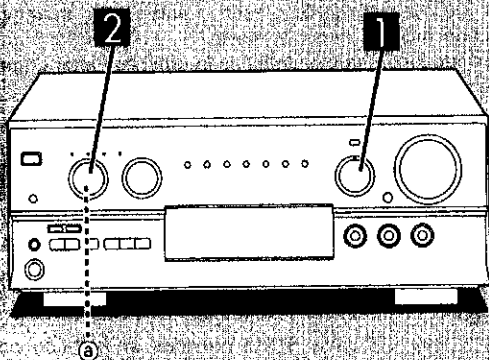
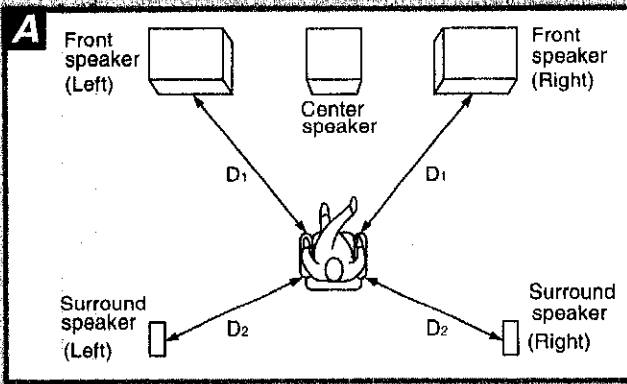
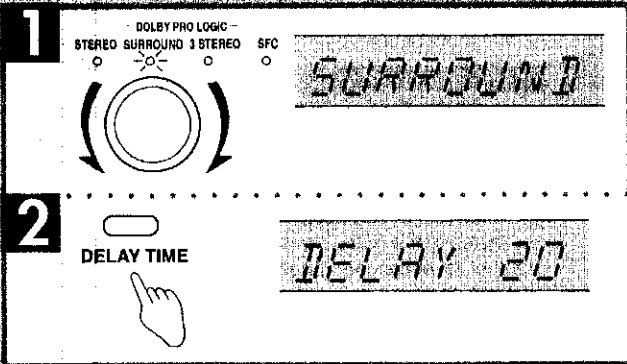
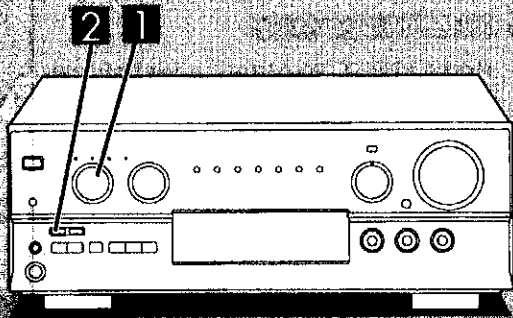
The sequence will resume when adjustments are stopped.

To stop the test signal

Press [TEST].

To turn off the Dolby Pro Logic systems

Press [STEREO].



Adjusting the delay time

When enjoying with SURROUND only

Adjust the sound from the surround speakers until the proper effect is produced.

1 Turn the sound mode selector to select "SURROUND".

2 Press [DELAY TIME] to set the time.

When the button is pressed, the current delay time is displayed.

Each time the button is pressed, the delay time will increase by 5 ms within a range of 15 ms to 30 ms.

The standard setting is 20 ms.

To calculate the delay time A

D₁: Distance from front speakers
D₂: Distance from surround speakers

- If D₁ is equal to or less than D₂
Set to 15 ms.
- If D₂ is less than D₁
Start at 15 ms and increase by 5 ms for every 1.5 m of difference between D₁ and D₂.

Enjoying SURROUND or 3 STEREO

1 Turn [INPUT SELECTOR] to select and start the desired source.

2 Turn the sound mode selector to select "SURROUND" or "3 STEREO".

Note

When employing SURROUND, use software recorded in Dolby Surround.

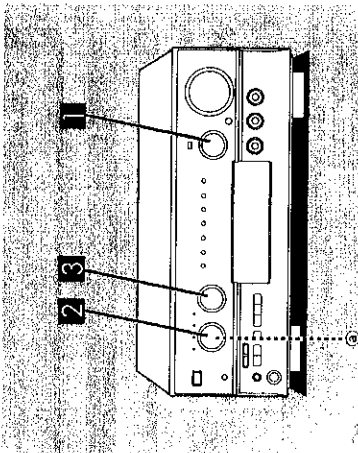
For your reference

You can set the Dolby Pro Logic mode for each source. Each source will retain the selected mode.

To turn off the Dolby Pro Logic systems

Turn the sound mode selector (Ⓐ) to select "STEREO".

Sound Field control (SFC)



1 INPUT SELECTOR (C) (C)

2 DELAY PHILIPSCORP
STEREO SURROUND STEREO SFC (C) (C)

3 MODE (C) (C)

Selected SFC mode: LIVE

The SFC function gives presence and spread thereby enhancing and enriching the music or movie.
Read the following explanations in order to better understand how to make your selection.

Note

The center speaker is not used in the hall, and simulated modes.

HALL

This mode imparts a reflection and spread which will make you feel as if you are in a large concert hall.

CLUB

Like a jazz club, this mode provides an exciting and intimate atmosphere. It simulates the sound field of a relatively small room having a low ceiling and hard reflective surfaces, for a "live" sound with enhanced presence to bring the performers up close.

LIVE

Primarily for vocal pieces, this mode adds gloss to the vocals and you'll feel as though you were hearing a live stage performance.

THEATER

You can clearly perceive the directions and source of the movie. Real ambience of sound can also be recreated naturally using this mode.
THEATER mode can be used with stereo sources not encoded with Dolby Surround.

Note

When using Dolby Surround encoded materials, select "SURROUND".

SIMULATED (SIM SURR)

Choose this mode if little or no sound will be heard from the surround speakers.
You can feel as if you were in a more expanded space acting to the actual sound from the source.
This mode also adds effect to monaural sources by outputting sound from surround speakers.

1 Turn [INPUT SELECTOR] to select and start the desired source.

2 Turn the sound mode selector to select "SFC".

3 Turn [MODE] to select the desired SFC mode.

Note

The SFC mode can also be selected by directly turning [MODE] in step 2 instead of selecting "SFC".

For your reference

You can set the SFC mode for each source. Each source will retain the selected mode.

To turn off the SFC function

Turn the sound mode selector (2) to select "STEREO".

Adjusting field of sound

With this unit, you can adjust speaker volumes. Adjust the field of sound while listening to a source.

To adjust the volume of the center and surround speakers **4** by remote control only.

1 Press [LEVEL] to select the center or surround speakers.

Note

You can adjust the center speaker volume only in the theater mode.

2 Press [+] or [-] to adjust the output level.

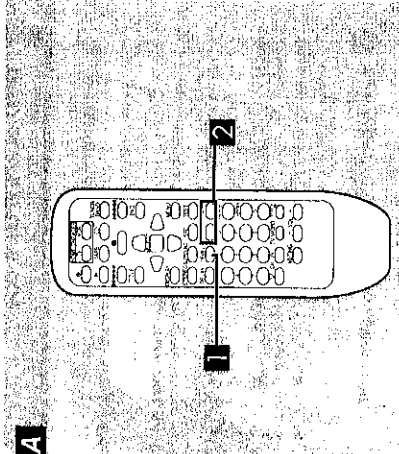
To adjust the delay time **3**

Press [DELAY TIME] to set the time. When the button is pressed, the current delay time is displayed. Each time the button is pressed, the delay time will change.

The delay time increments are different depending on the SFC mode. Select a delay time setting to accommodate to your individual needs.

SFC modes	Available delay time setting (ms)
HALL	20, 25, 30, 40, 50
CLUB	0, 15, 20, 25, 30
LIVE	15, 20, 30, 40, 50
THEATER	15, 20, 25, 30, 40
SIMULATED	15, 20, 25, 30, 40

The figures in bold italics are the factory settings.



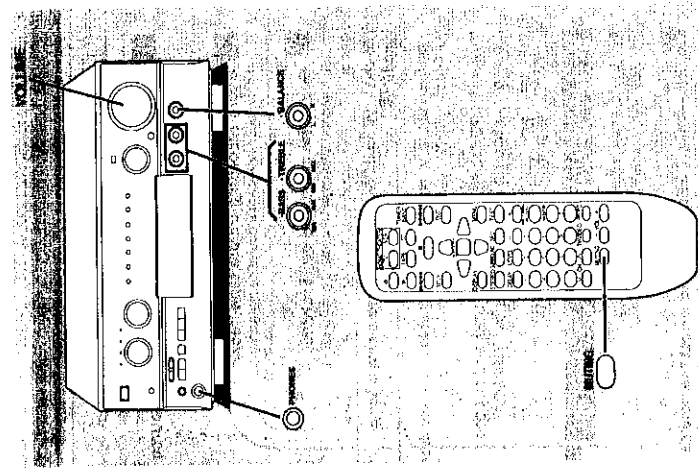
1 LEVEL Selected channel: 5 **0000**

2 Output level: 5 **+30dB**

B DELAY TIME

DELAY TIME DELAY 20

Other Functions



1 To adjust the tone quality
 Turn [BASS] to adjust the low frequency sound.
 Turn [TREBLE] to adjust the high frequency sound.

2 To adjust the sound balance
 Turn [BALANCE] to adjust the left/right sound balance.

3 To mute the sound level
 by remote control only

Press [MUTING]
 The message "MUTING ON NOW" runs repeatedly from right to left across the display as long as the muting function is on.
 Press once again to return to the previous volume level.

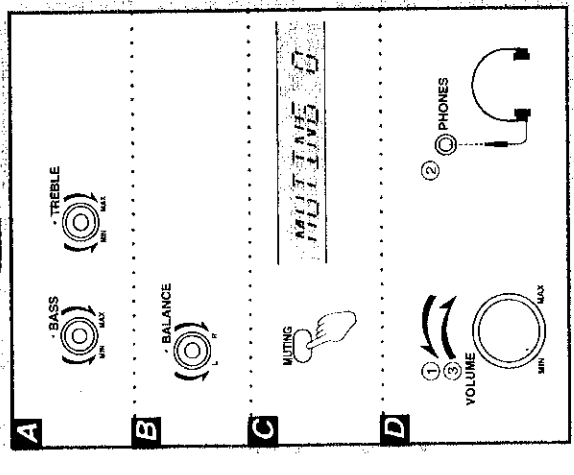
Note
 When the receiver is turned off, the muting operation will be automatically cancelled.

To listen through headphones

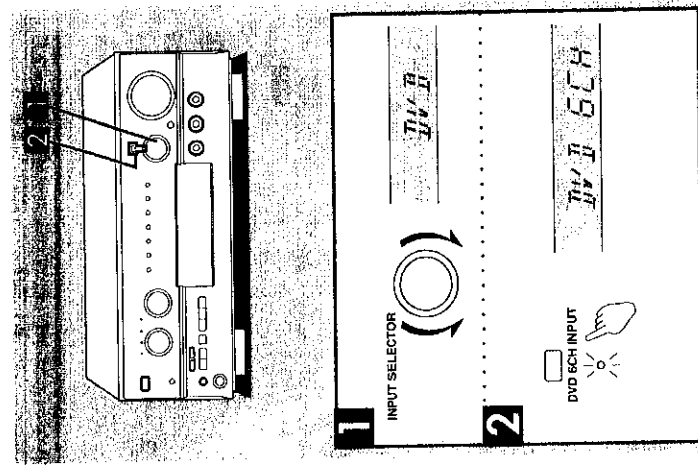
- 1 Reduce the volume level.
- 2 Connect the headphones.
 Plug type: 6.3 mm (1/4 in.) stereo
- 3 Adjust the volume level.

If you do not want sound from the speakers, press [SPEAKERS] button(s) and check the speaker indicator(s) goes out.
 If a subwoofer is connected to your system, turn off the power to it (or the subwoofer amp you are using) or lower the volume to the minimum level.

Note
 Avoid listening for prolonged periods of time to prevent hearing damage.



DVD 6CH INPUT Mode



This receiver can playback 6 channel discrete sound. It has terminals for connecting to a component with 6 channel discrete output, such as a DVD player.

6 channel discrete output makes playback sound more real by adding depth, movement, position and other characteristics to the field of sound. It will make you feel as if you were at the movie theater when in your own home.

To enjoy 6 channel discrete output sound
 You have to connect a DVD player, Digital Surround Processor, or other component that has 6 channel discrete output capabilities.

1 Turn [INPUT SELECTOR] to select "DVD".

2 Press [DVD 6CH INPUT] to select "DVD 6CH".
 Changes as follows, each time the button is pressed.
 DVD 6CH = DVD (2CH)

The "DVD 6CH INPUT" indicator lights when "DVD 6CH" is selected.

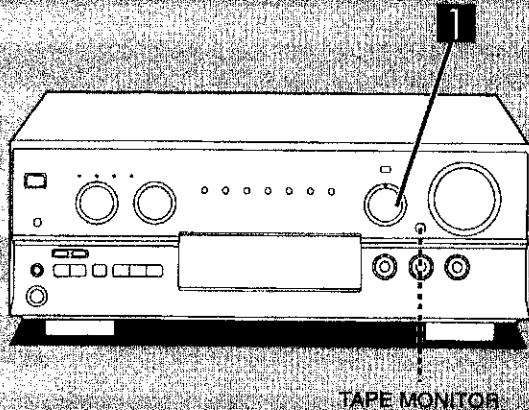
If you press this button while another source (CD, PHONO, etc.) is selected, the receiver switches the source to DVD and engages the DVD 6CH INPUT mode.

3 Start the desired source.
 Follow your equipment's operating instructions.

Note
 You cannot select Dolby Pro Logic or any of the SFC modes while in the DVD 6CH INPUT mode.

Making A Recording

A



1

INPUT SELECTOR

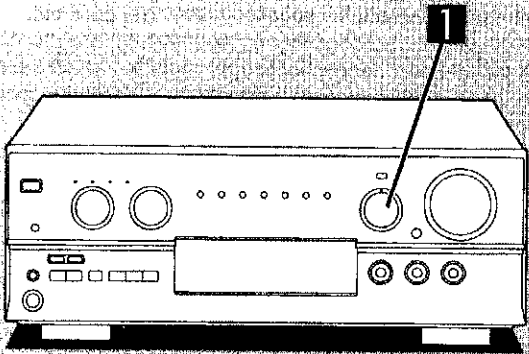


B

TAPE MONITOR



C



1

INPUT SELECTOR



Recording on a tape deck A

Before recording, prepare the tape deck for recording. See the tape deck's operating instructions for details.

- 1 Turn [INPUT SELECTOR] to select the source to be recorded.**
Any source can be selected except TAPE.
- 2 Begin recording on the tape deck.**
Follow your tape deck's operating instructions.
- 3 Begin the source to be recorded.**
Follow your equipment's operating instructions.

To check the sound recorded while a recording is being made B

It is possible to check the sound being recorded if your tape deck is a 3 head system.

Press [TAPE MONITOR] on this unit and set the monitor button on the tape deck to "TAPE".

Press [TAPE MONITOR] once again to turn it off.

Recording on a VCR C

Before recording, prepare VCR for recording. See the VCR's operating instructions for details.

- 1 Turn [INPUT SELECTOR] to select the source to be recorded.**
Any source can be selected except VCR and TAPE.
- Note**
Recording from the tape deck is not possible.
- 2 Begin recording on the VCR.**
Follow your VCR's operating instructions.
 - 3 Begin the source to be recorded.**
Follow your equipment's operating instructions.

Note

When you select DVD 6CH INPUT mode, only sound from the front left and right speakers is recorded.

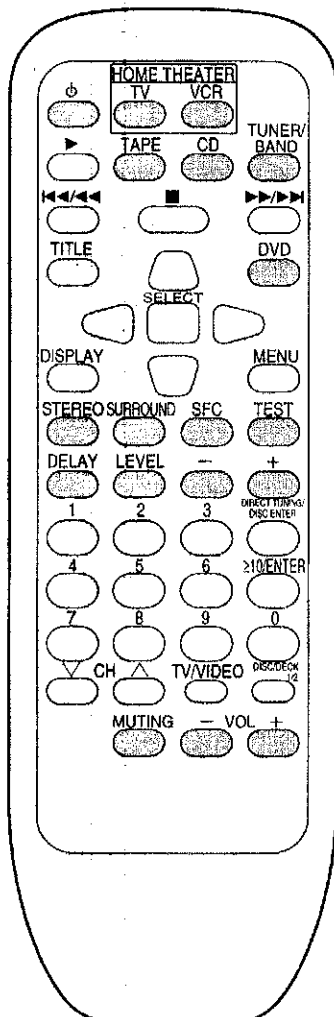
To record all 6 channels

Set the playback mode on your DVD player or decoder to 2 channel (stereo) mode.

For details, see the instruction manual that came with the connected equipment.

Using the Remote Control

Point the remote control toward the receiver



Basic operations

To turn the unit ON/OFF

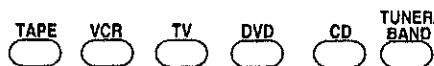


Once the unit has been set to ON, it can be turned ON and OFF simply by pressing [⏻].

Note

After turning the TV, VCR or DVD player ON or OFF, always press TUNER/BAND before pressing [⏻] when turning the receiver ON and OFF.

To select an input source and switch the remote control transmitter to each operation mode



Note

PHONO can not be selected with this remote control.

To turn off the Dolby Pro Logic and SFC mode



To turn on the Dolby Pro Logic and select the SURROUND mode



Note

3 STEREO can not be selected with this remote control.

To turn on the SFC function and select the desired mode



Changes as follows each time the button is pressed.

HALL → CLUB → LIVE → THEATER
└─ SIM SURR (SIMULATED) ─┘

To output a test signal



When the SURROUND or 3 STEREO mode is ON

Press once more to stop the signal.

To adjust the output level of the center speaker and/or surround speakers



- ① Select center (C) or surround (S).
- ② Adjust output level.

- When the SURROUND mode is ON and the center mode is on PHANTOM, you cannot select the center channel.
- When SFC is used, the center mode can be changed only if THEATER is on.
- When the 3 STEREO mode is ON, you cannot select the surround channel.

To adjust the delay time



When the SURROUND or SFC mode is ON

To mute the sound level



The message "MUTING ON NOW" runs repeatedly from right to left across the display as long as the muting function is on. Press once more to return to the original volume.

To adjust the volume level



■ Operation Checks

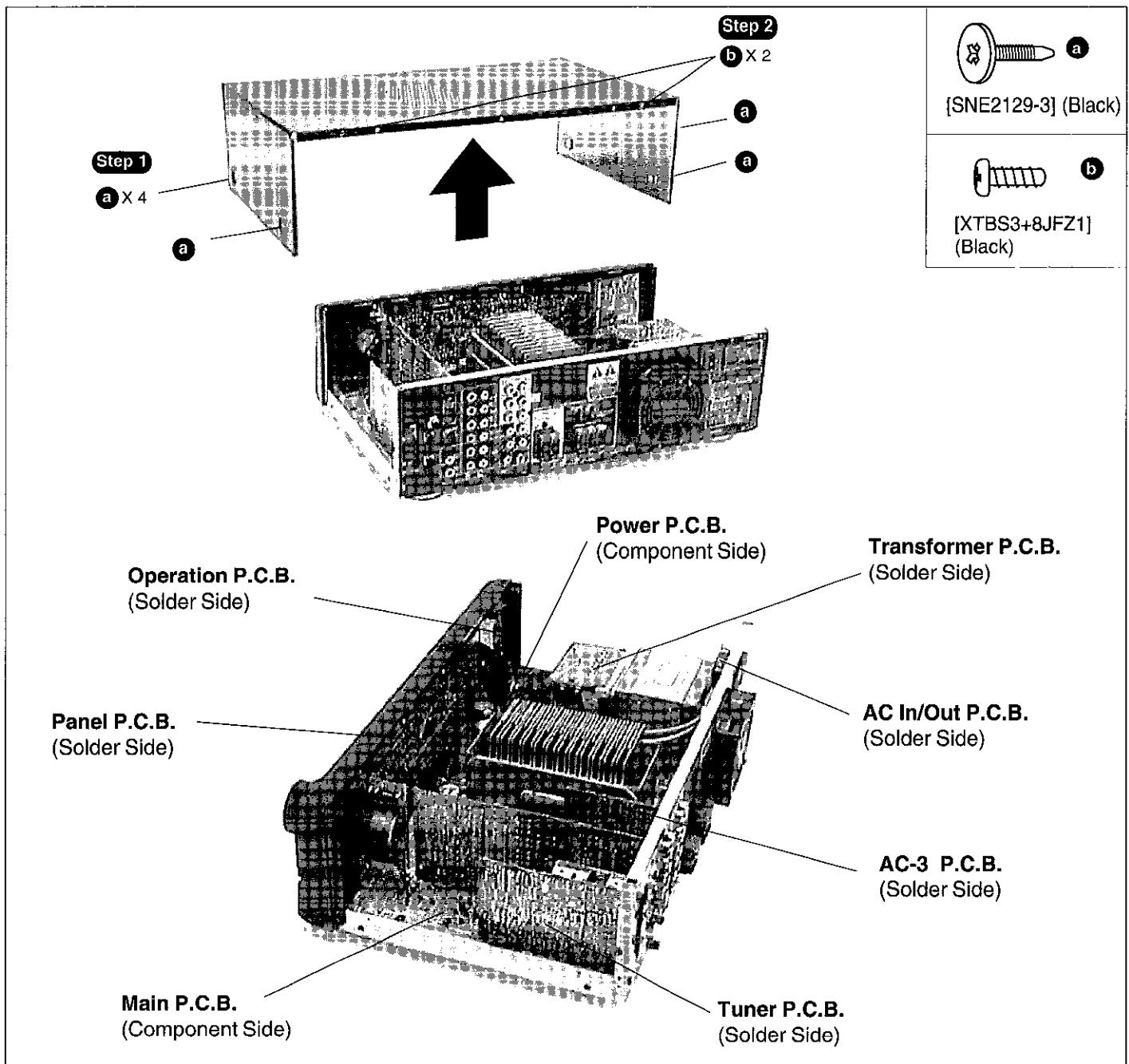
"ATTENTION SERVICER" Some chassis components may have sharp edges. Be careful when disassembling and servicing.

1. This section describes procedures for checking the operation of the major printed circuit boards and replacing the main components.
2. For reassembly after operation checks or replacement, reverse the respective procedures.
Special reassembly procedures are described only when required.
3. Select items from the following index when checks or replacement are required.

• Contents

	page
• Checking Procedure For Each Major P.C.B.	12 ~ 14
• Main Component Replacement Procedures	14 ~ 15

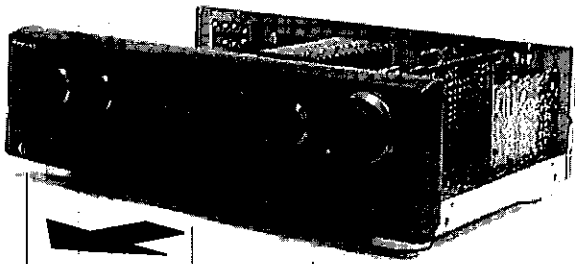
■ Checking Procedure For Each Major P.C.B.



To remove Front Panel and check Panel P.C.B., Operation P.C.B. and Headphone Jack P.C.B.

Step 1

Remove the top cabinet.



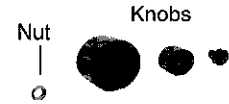
Step 2

b X 3

b

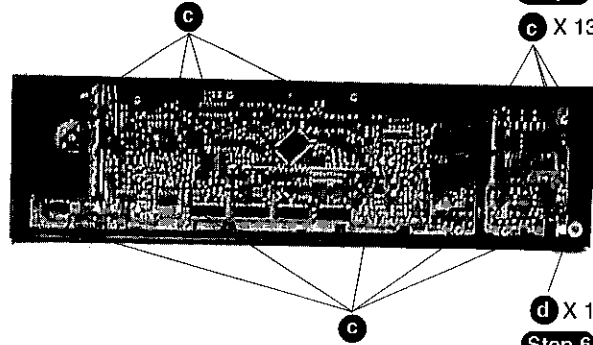
Step 4

Remove all Knobs and Nuts from Front Panel.



Step 5

c X 13



d X 1

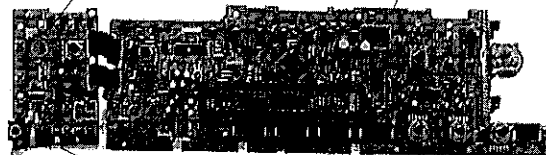
Step 6

Step 3

Remove the Front Panel in the direction of arrow.

Operation P.C.B.
(Component Side)

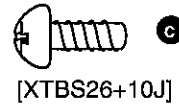
Panel P.C.B.
(Component Side)



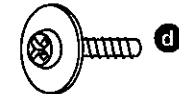
Headphone Jack P.C.B.
(Component Side)

Step 7

Pull out the Headphone Jack P.C.B.



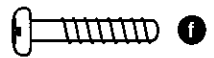
[XTBS26+10J]



[RHD26016]



[XTBS3+8JFZ1] (Black)
[XTB3+8FFZ] (Black)



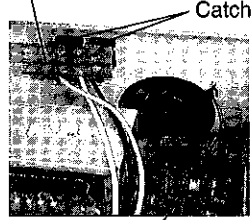
[XTB3+20JFZ] (Black)

To remove Rear Panel and check Main P.C.B. and Power P.C.B.

Step 4

Release the AC In/Out P.C.B. catches and the fan motor connector, then pull out the rear panel in the direction of arrow.

AC In/Out P.C.B.



Connector

Step 1

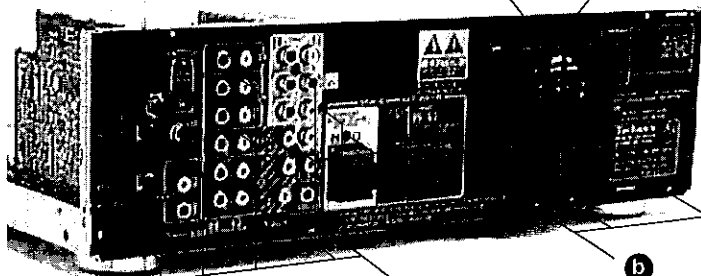
Remove the top cabinet.

Step 2

Remove the front panel.

Step 5

f X 12

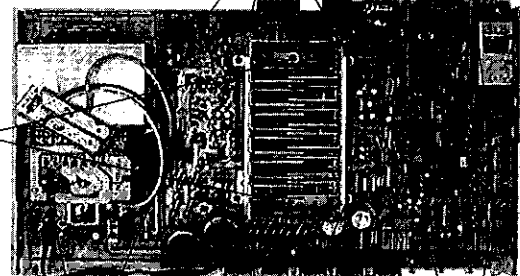


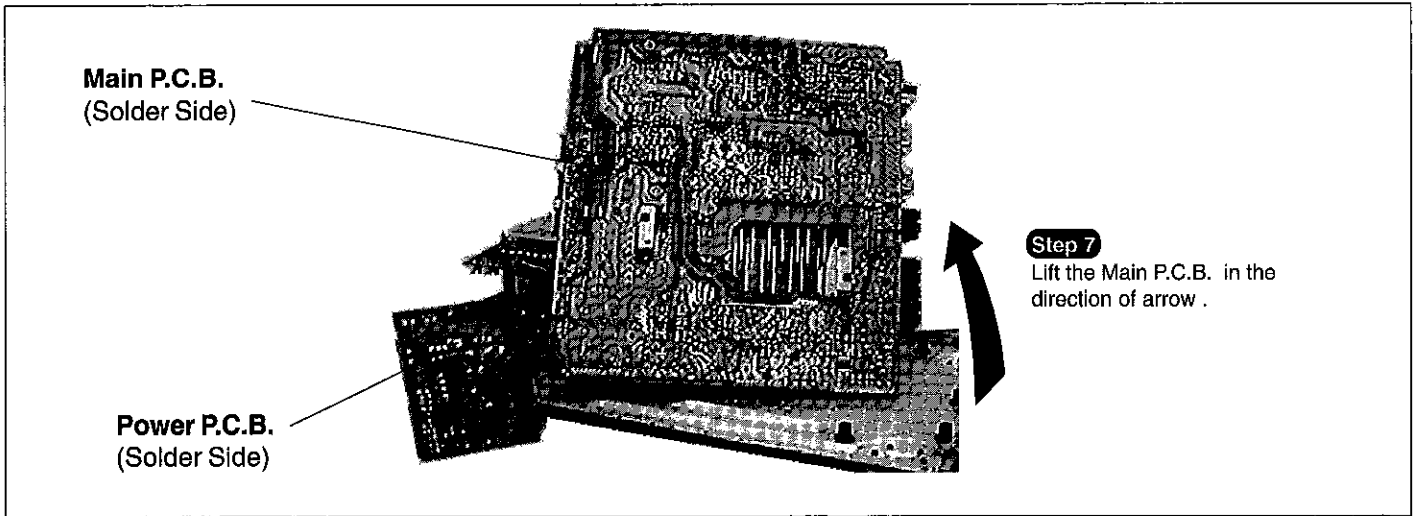
Step 3

b X 16

Step 6

e X 2





■ Main Component Replacement Procedures

1. Replacement of the Power IC and Regulator Transistor

Step 1

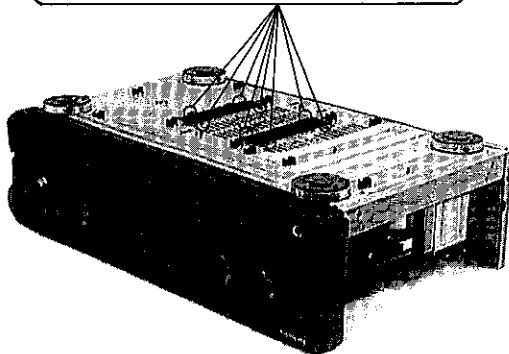
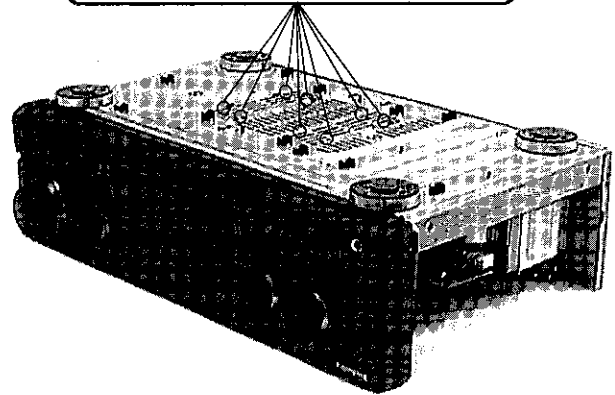
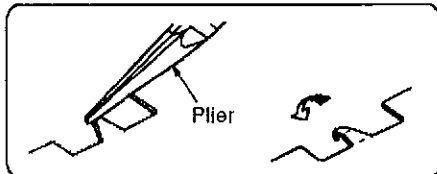
Remove the top cabinet.

Step 2 Cut the joints as shown below. (8 joints)

Locate the nipper to the thin portion of the joint.

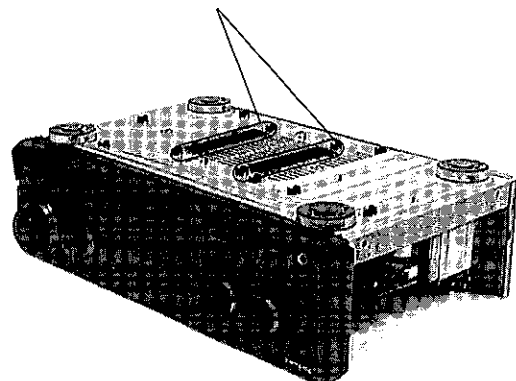


Step 3 Fold the joints. (8 joints)



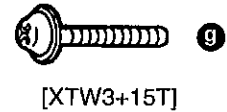
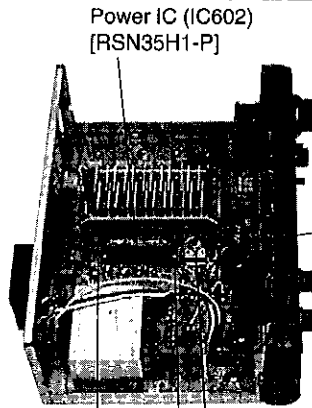
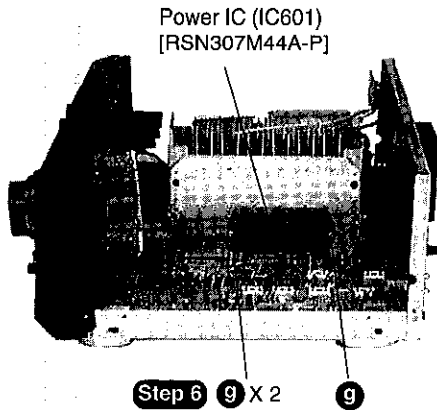
Step 4

Desolder the terminals of Power IC and Regulator Transistor.



Step 5

Remove all screws (b) for the Tuner, AC-3 and Pro Logic P.C.B.'s at the Rear Panel and pull out these P.C.B.'s from the Main P.C.B.



Regulator transistor (Q701, Q708) [2SD2374PQAU, 2SB1548PQAU]

Step 7

(g) X 3

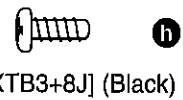


•The PROTO Offset Screwdriver No. 34-1/4 is recommended for use in the application above.

Installation of the bottom cover after replacement

Step 1

Flip over the bottom cover

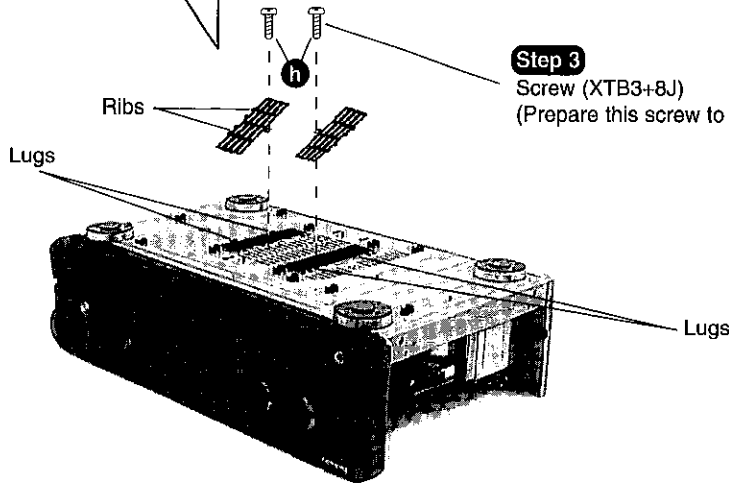


Step 3

Screw (XTB3+8J)
(Prepare this screw to fix the bottom cover.)

Step 2

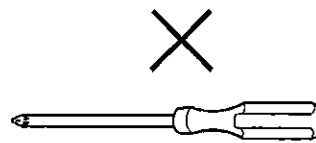
Align the ribs of bottom cover into the lugs.



CAUTION

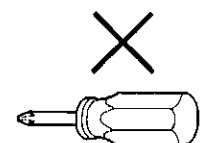
1. After replacing the power IC or regulator transistor, apply a sufficient quantity of compound grease (RFKX0002/SZZ0L15) between the heat sink and the power IC or regulator transistor (Radiation of power IC).
2. Tighten enough the screws (g) after replacing the power IC and regulator transistor. Otherwise, the heat radiation works little.
3. When installing or removing the power IC or transistor holder, be sure to use an offset screwdriver.

- A long straight screwdriver cannot be used for removing or mounting the screws since its long grip interferes with the neighbouring P.C.B. (See Fig.1)
- A short straight screwdriver may be used for removal, but cannot be used for mounting because the limited space in the unit will not allow sufficient tightening torque.(See Fig.2)



A long straight screwdriver

Fig.1



A short straight screwdriver

Fig.2

- Insufficient tightening will cause poor heat dissipation from the power IC and regulator transistor and, in the worst case, may lead to their thermal breakdown.

■ Terminal Functions Of ICs

• IC901 (M38B57M6120F) System Microprocessor

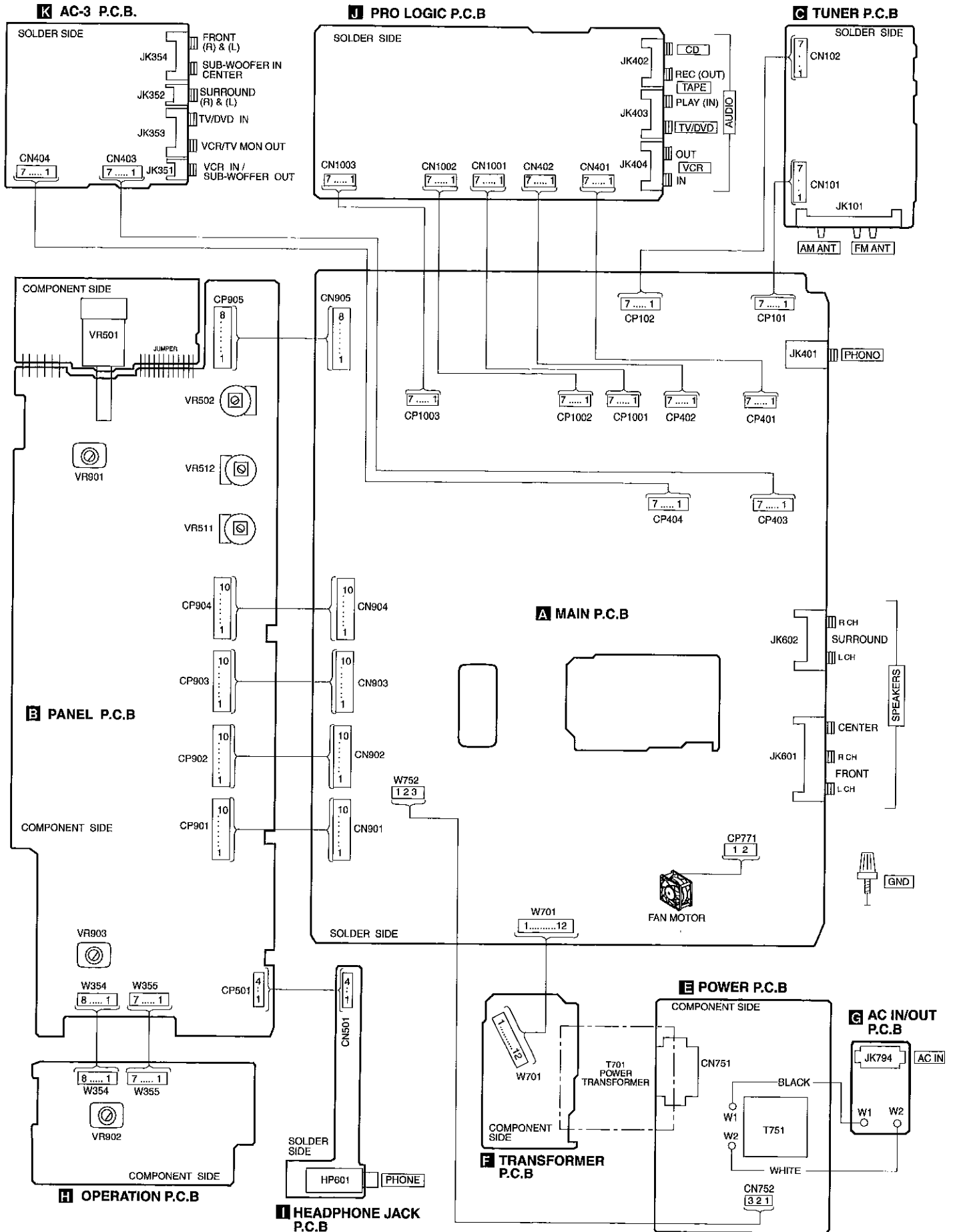
Pin No.	Mark	I/O	Function
1~2	KEY2~KEY1	I	Key Input 1 ~ 2
3	THERM/OVLD1	I	Thermal/Over load input 1
4	KEY4	I	Key Input 4
5	THERM/OVLD2	I	Thermal/Over load input 2
6	FM_ST	I	Stereo signal detect terminal
7	WAKE_LED	O	Wake up timer LED
8	RDS_ST	I	Control of RDS IC (ST) stereo signal
9	REMOTE	I	Remote control terminal
10	RESET	-	Reset detect terminal
11	RDS_CK	I	Control of RDS IC (CK) clock signal
12	RDS_DT	I	Control of RDS IC (DT) data signal
13	GND	-	GND terminal
14	XIN	-	Crystal oscillator terminal (4 MHz)
15	XOUT	-	Crystal oscillator terminal (4 MHz)
16	VDD (+5V)	-	Power supply terminal +5V
17	LED_IC_CK	O	LED driver IC (CK) clock signal
18	LED_IC_DT	O	LED driver IC (DT) data signal
19	SFC/PTY_ENCD1	I	SFC mode encoder input 1
20	SFC/PTY_ENCD2	I	SFC mode encoder input 2
21	SEL_ENCD1	I	Selector encoder for input 1
22	HOLD	I	Blackout detection terminal
23	SEL_ENCD2	I	Selector encoder for input 2
24	FRT_VCR2	I	TV-VCR2 control input
25	RELAY	-	Relay control output
26	ABS	O	ABS control output
27	6ch_SW_ST	O	6 ch sw control output (ST)
28	Vee (-22V)	-	Power supply for FL driver
29	S/C_SP	O	Surround/Center speaker control output

Pin No.	Mark	I/O	Function
30	SP_B	O	Speaker B control output
31	SP_A	O	Speaker A control output
32	AF_MUTE	O	Muting control output
33~48	SEG16~SEG1	O	FL segment signal output
49~58	DEG1~DEG10	O	FL digit signal output
59	INIT_IN	I	Diode input initial settings
60	VOL_DOWN	O	Volume control output (Down)
61	VOL_UP	O	Volume control output (Up)
62	REC_MUTE	O	REC Mute control
63	IF_DATA	I	Serial data signal
64	LIMITER	O	Power limiter control output
65	TNR_CE	O	Tuner control (CE) chip enable signal
66	SEL/TNR_CK	O	Selector/Tuner (CK) clock signal
67	SEL/TNR_DT	O	Selector/Tuner (DT) data signal
68	SEL_ST	O	Selector control terminal
69	MMD_CTRL	O	MMD control terminal
70	SURR_CK	O	Surround control (CK) clock signal
71	SURR_DT	O	Surround control (DT) data signal
72	SURR_CE	O	Surround control (CE) chip enable signal
73	AVSS	-	GND for A-D converter
74	VREF	-	Reference voltage for A-D converter
75	SD	I	SD signal detect input
76	SUR_ENCD1	I	Encoder of surround mode selector input1
77	HELP_LED	O	Help LED control output
78	SUR_ENCD2	I	Encoder of surround mode selector input2
79	VIDEO_A	O	Video selector control output A
80	VIDEO_B	O	Video selector control output B

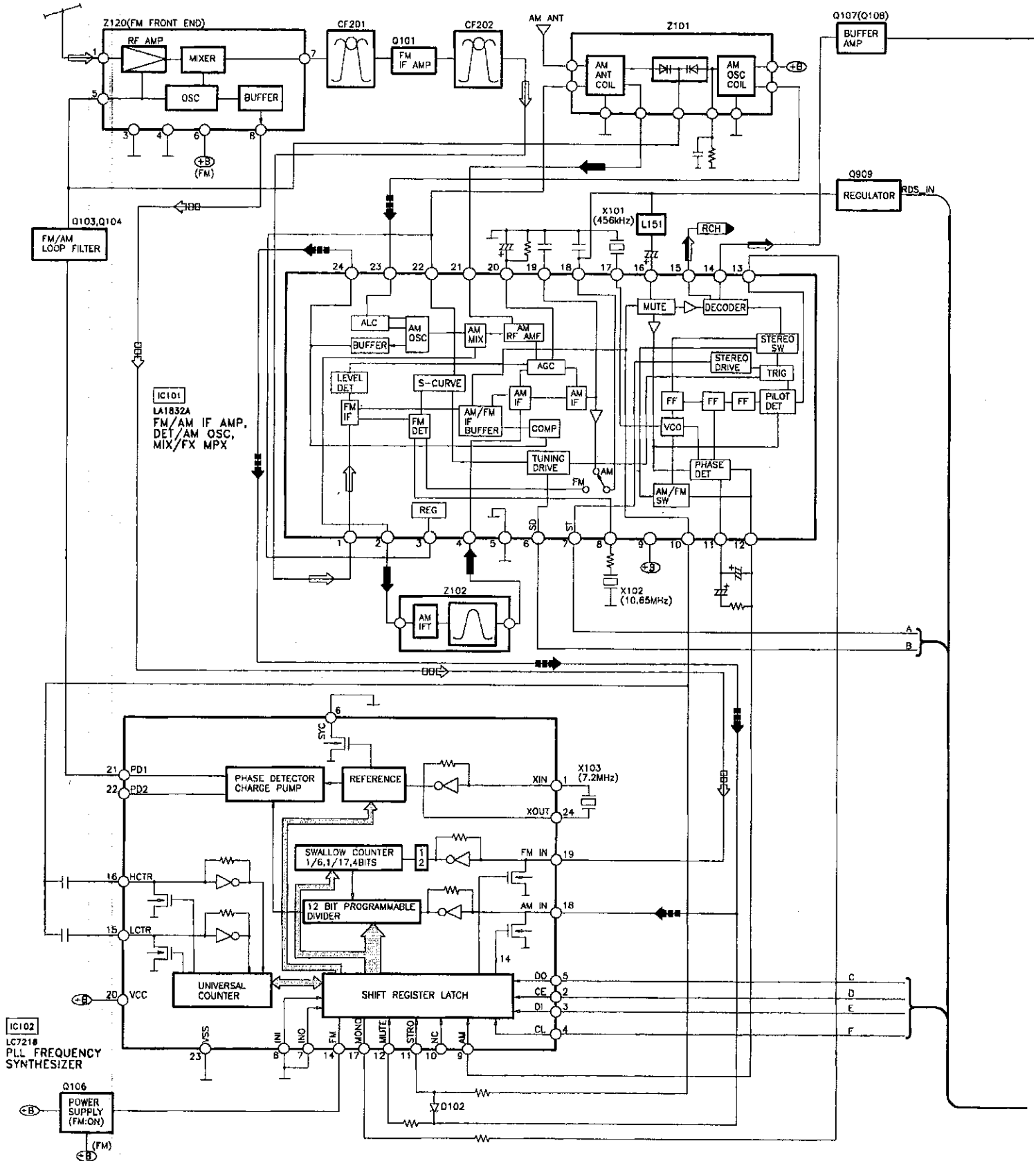
■ Type Illustration of ICs, Transistors and Diodes

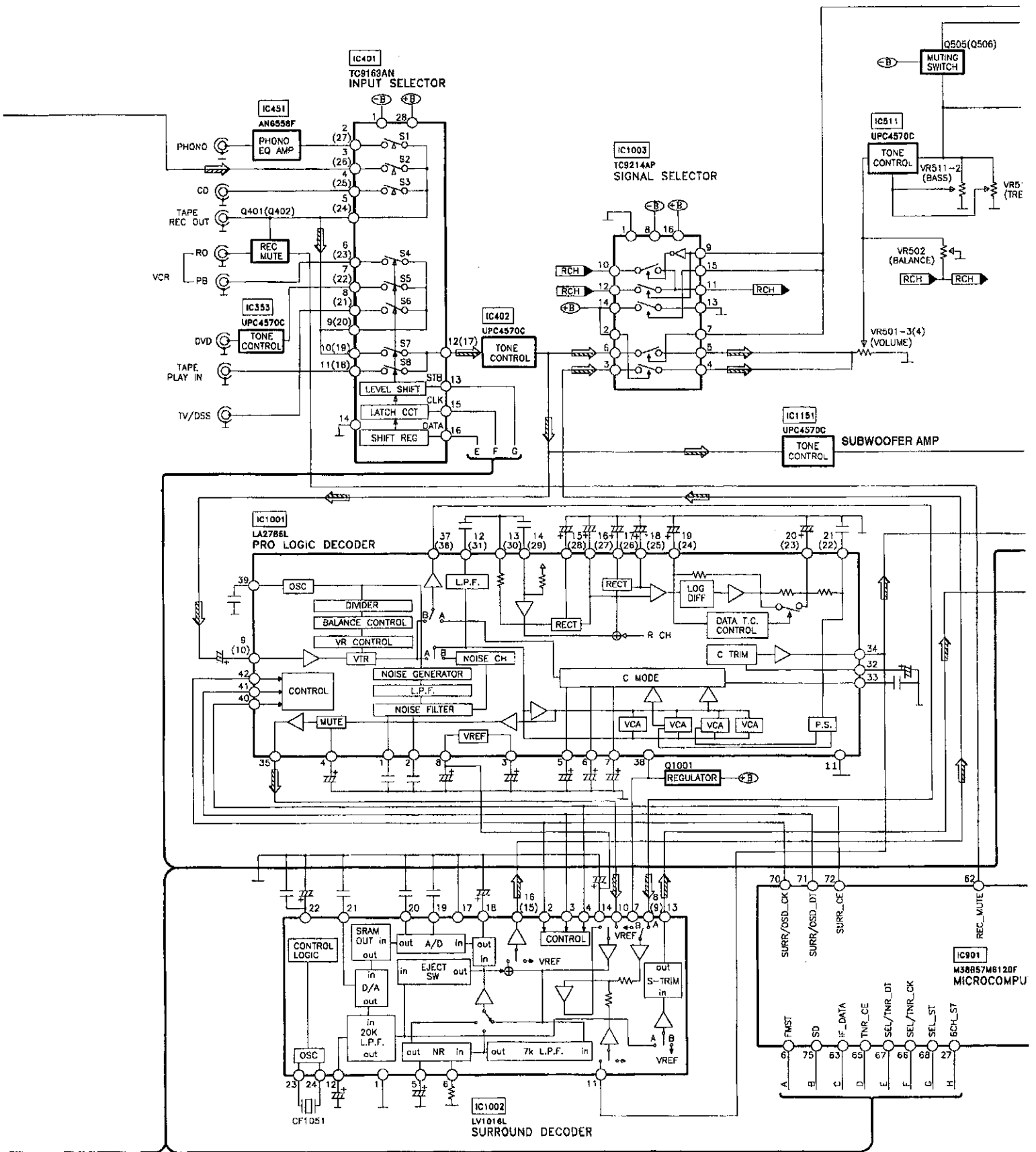
<p>M38B57M6120F (80p)</p>	<p>RSN307M44A-P</p>	<p>RSN35H1-P</p>	<p>TC9214AP</p>	<p>BA6218</p>	<p>LA2786L</p>
<p>LA1832A LC7218 LV1016L</p>	<p>AN6558F UPC4570C</p>	<p>BU2090A</p>	<p>NJM2060D NJM2279D</p>	<p>TC9162AN TC9163AN</p>	<p>SVC211SPA-AL</p>
<p>2SB621AQSTA 2SD592AQSTA</p>	<p>2SK544F-AC</p>		<p>2SC2787LTA 2SC2786MTA 2SC2787FL1TA 2SC2785FETA 2SC3311ARTA 2SD1915FTA</p>		<p>2SA933SSTA 2SC1740SSTA RVTDTA113ZST RVTDTA114EST RVTDTA143XST RVTDTA143YST RVTDTA143XST</p>
<p>2SK2880CTA</p>	<p>2SB1417PQTA 2SD2137PQTA</p>	<p>2SB1548PQAU 2SD2374PQAU</p>	<p>2SA1534AQRTA 2SC3940AQSTA</p>	<p>1N5402BM21 RK306LFU1</p>	<p>SLR325MCT31 SLR325VCT31</p>
	<p>1SS291TA RVD1SS133TA MA700ATA 1SR35400V</p>		<p>MTZJ10CTA MTZJ15CTA MTZJ24DJTA MTZJ27DTA MTZJ3R0ATA MTZJ3R9ATA MTZJ4R7BTA</p>	<p>MTZJ5R1BTA MTZJ5R6BTA MTZJ6R2BTA MTZJ6R8BTA MTZJ7R5CTA MTZJ8R2CTA</p>	

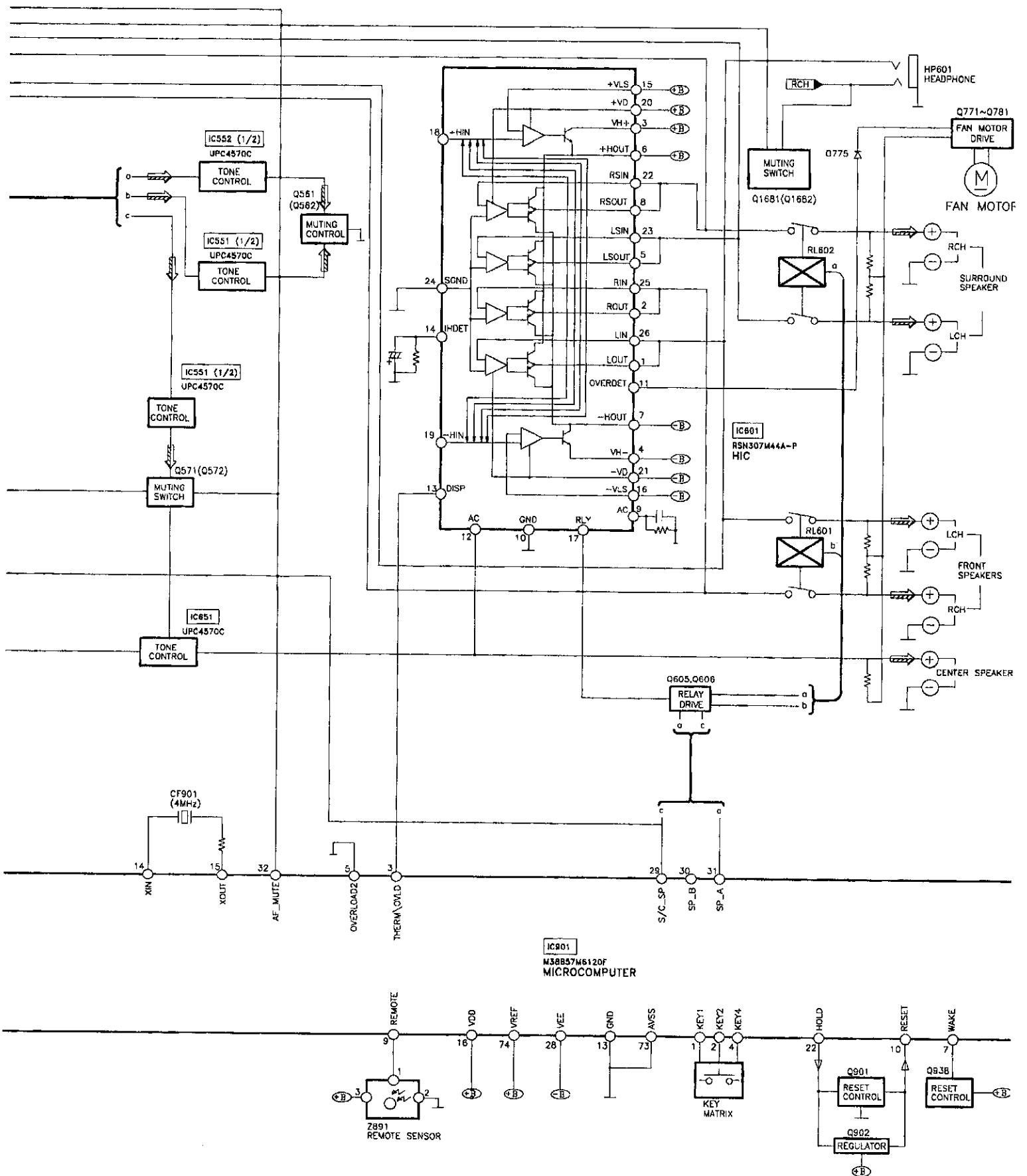
Wiring Connection Diagram

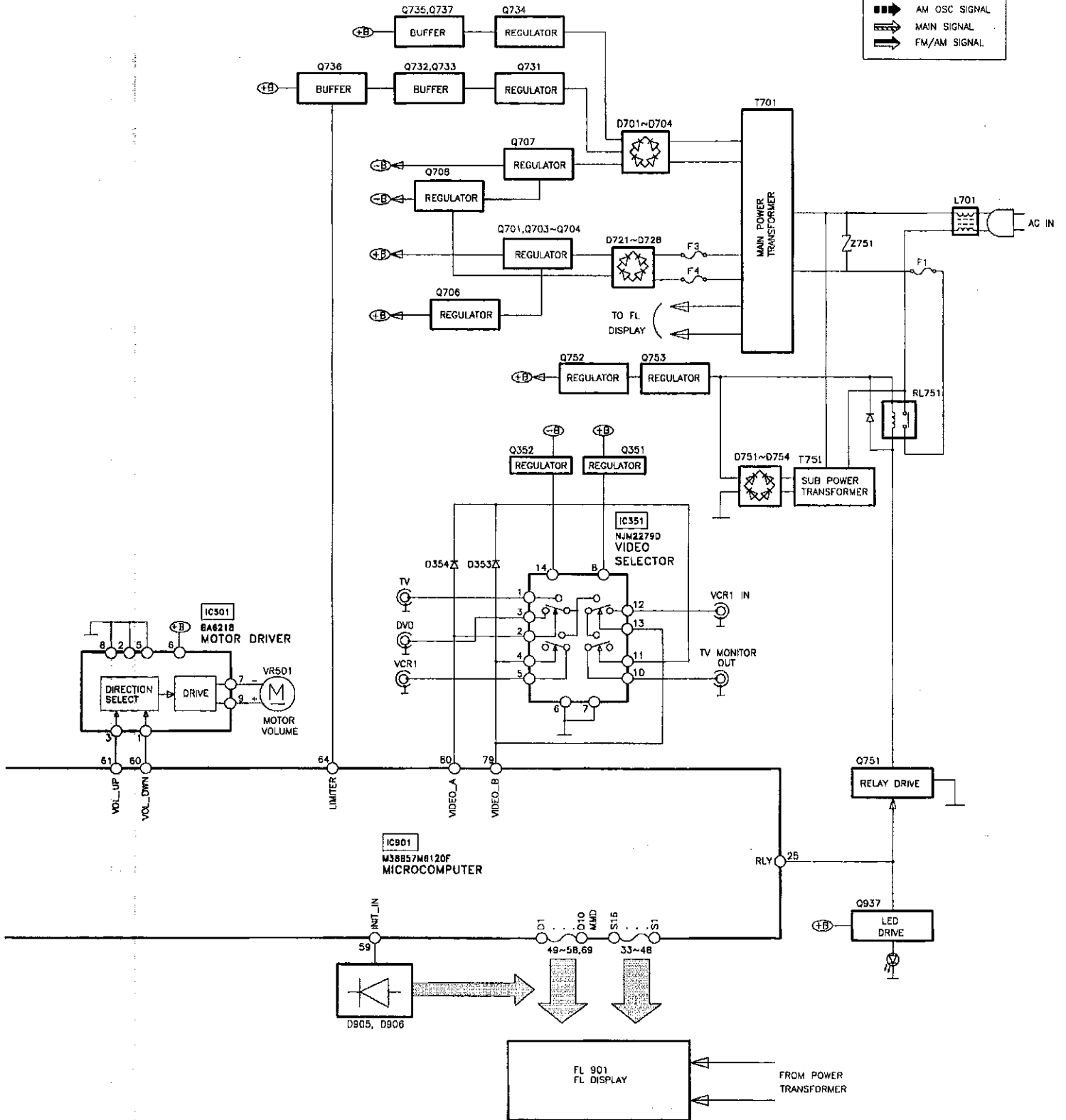
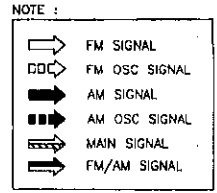


■ Block Diagram









Schematic Diagram

	Page		Page
A MAIN CIRCUIT	30 ~ 34	G AC IN/OUT CIRCUIT	34
B PANEL CIRCUIT	35 ~ 38	H OPERATION CIRCUIT	25
C TUNER CIRCUIT	28 ~ 29	I HEADPHONE JACK CIRCUIT	38
E POWER CIRCUIT	34	J PRO LOGIC CIRCUIT	26 ~ 27
F TRANSFORMER CIRCUIT	34	K AC-3 CIRCUIT	25

(All schematic diagrams may be modified at any time with the development of new technology)

Note :

- | | |
|------------------------------------|---------------------------------------|
| • S946 : Power switch | • S976 : DVD 6Ch switch |
| • S948 : Tape Monitor switch | • S980 : Speakers select switch |
| • S950 : FM mode switch | • S985 : Center mode select switch |
| • S951 : Band select switch | • S986 : Delay time switch |
| • S952 : Tuning decrease switch | |
| • S953 : Tuning increase switch | • VR501 : Volume control |
| • S955 : Memory switch | • VR502 : Balance control |
| • S956 : Tuning mode preset switch | • VR511 : Bass control |
| • S958 : Help / Reset switch | • VR512 : Treble control |
| • S970 : Search switch | • VR901 : Input selector knob |
| • S971 : EON switch | • VR902 : Dolby Pro-logic select knob |
| • S974 : Display mode switch | • VR903 : Mode SFC on/off knob |

• Signal line

	: +B Line		: Main Signal Line
	: -B Line		: FM Signal Line
	: FM/AM Signal Line		: FM OSC Signal Line
	: AM Signal Line		: Record Signal Line
	: AM OSC Signal Line		

- The voltage value and waveforms are the reference voltage of this unit measured by DC electronic voltmeter (high impedance) and oscilloscope on the basis of chassis. Accordingly, there may arise some error in voltage values and waveforms depending upon the internal impedance of the tester or the measuring unit.

() : AM No mark : Playback < > : FM

• Importance safety notice:

Components identified by Δ mark have special characteristics important for safety. Furthermore, special parts which have purposes of fire-retardant (resistors), high-quality sound (capacitors), low-noise (resistors), etc. are used. When replacing any of components, be sure to use only manufacturer's specified parts shown in the parts list.

Caution !

IC, LSI and VLSI are sensitive to static electricity.

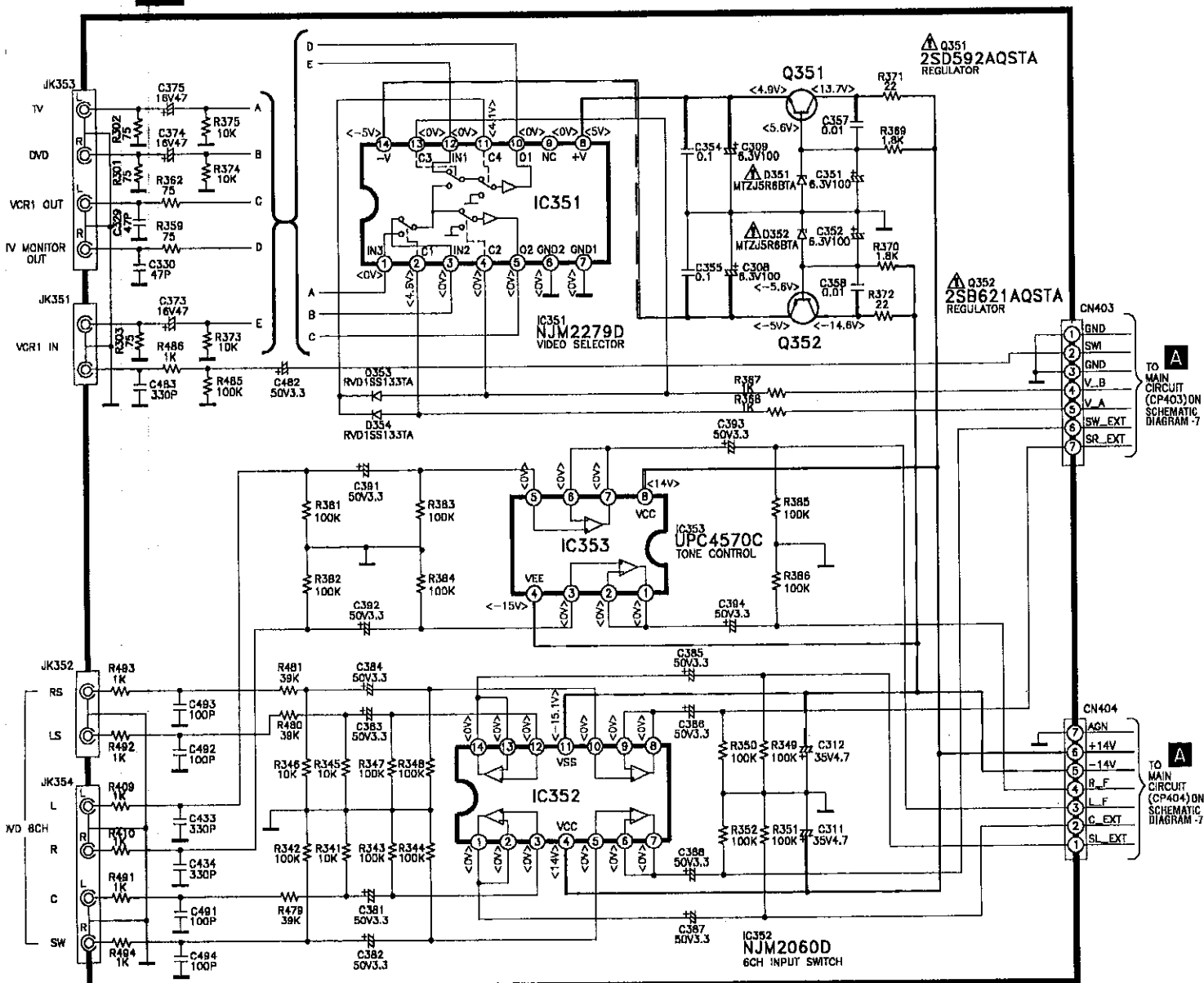
Secondary trouble can be prevented by taking care during repair.

- Cover the parts boxes made of plastics with aluminium foil.
- Ground the soldering iron.
- Do not touch the pins of IC, LSI or VLSI with fingers directly.
- Put a conductive mat on the work table.

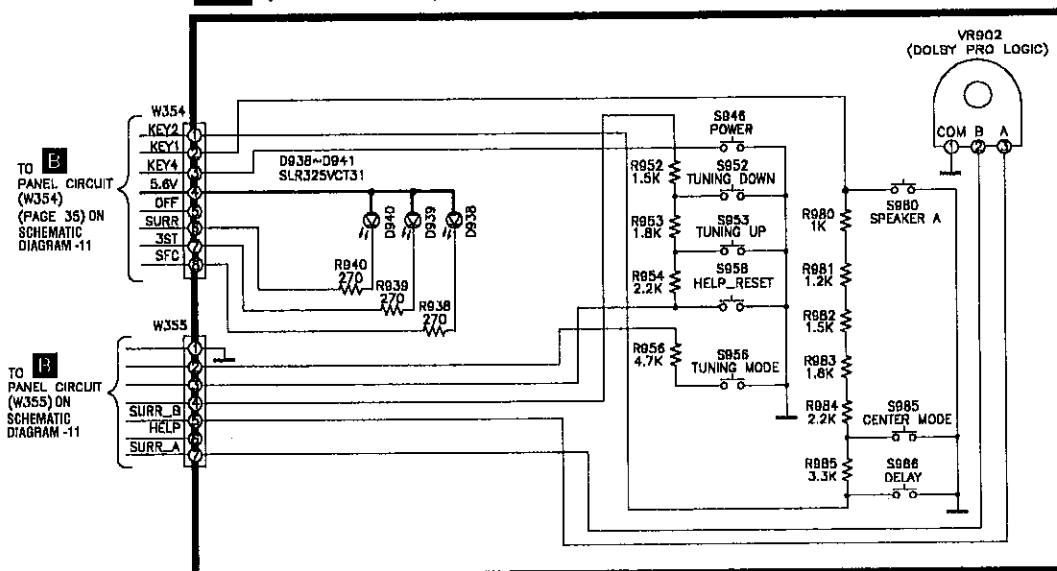
SCHEMATIC DIAGRAM-1

K AC-3 CIRCUIT (P.C.Board on page 45)

— : +B Line - - - : -B Line

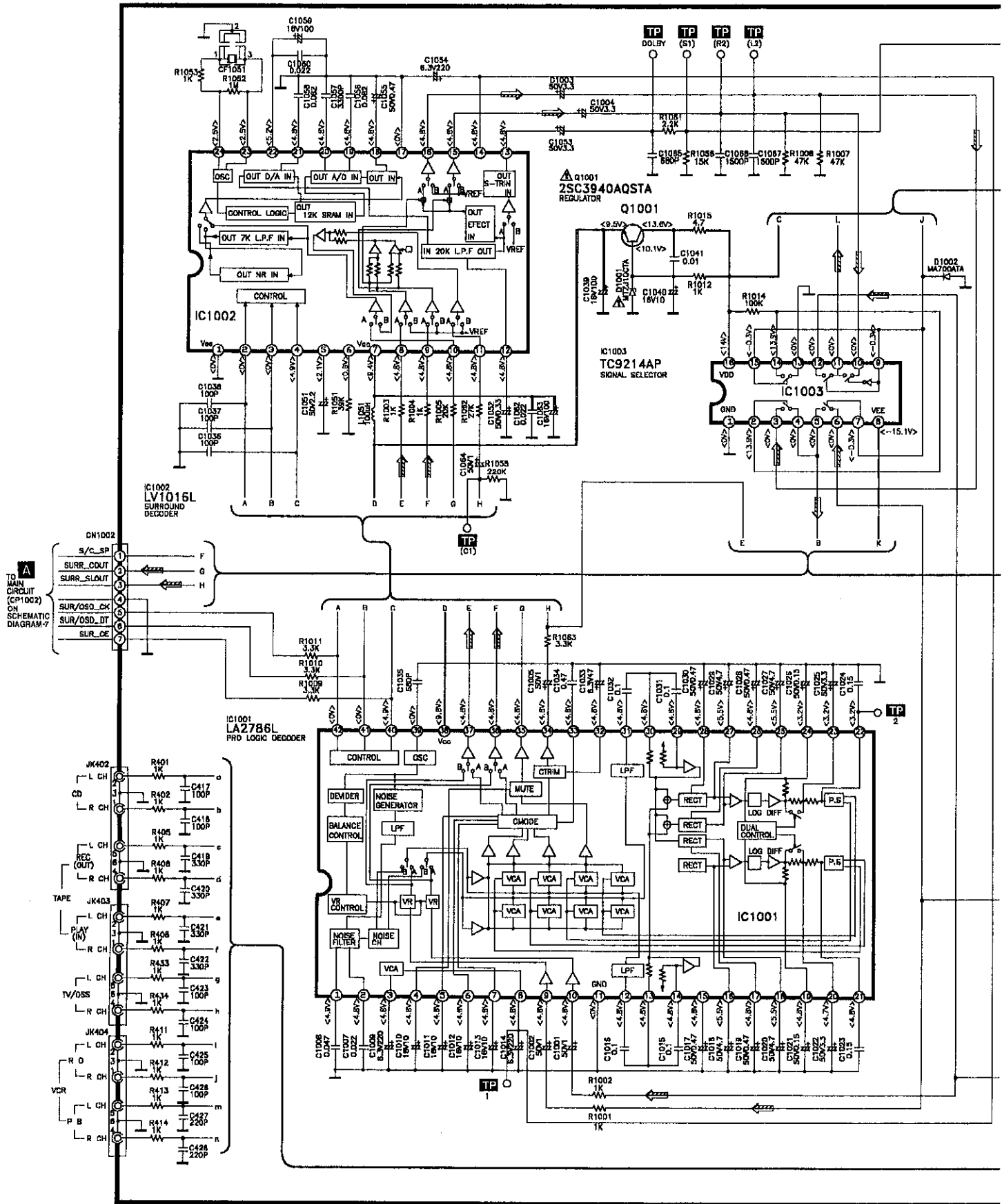


H OPERATION CIRCUIT (P.C.Board on page 45)



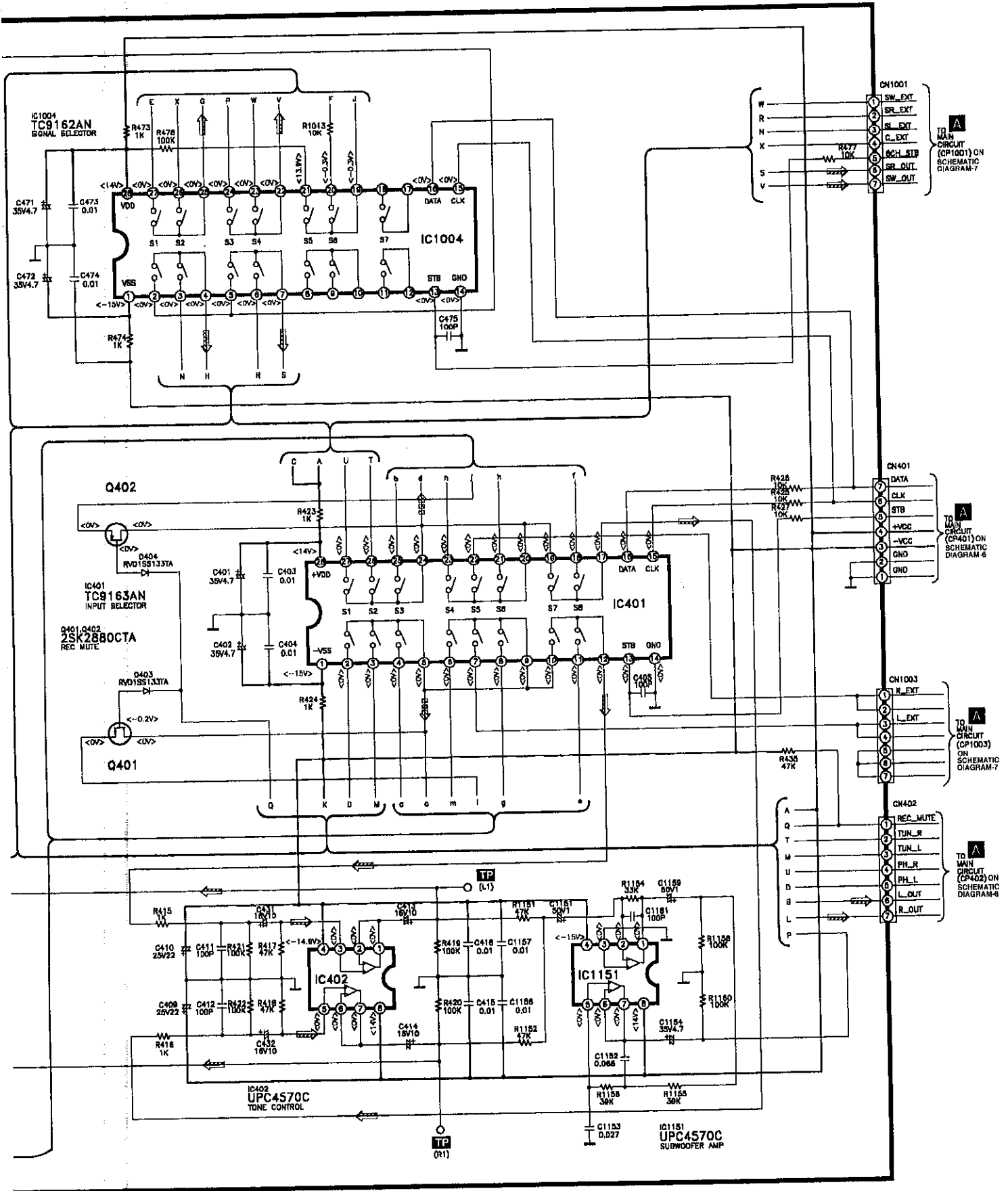
J PRO-LOGIC CIRCUIT (P.C.Board on page 39)

— : +B Line - - - : -B Line ⇨ : Main Signal Line



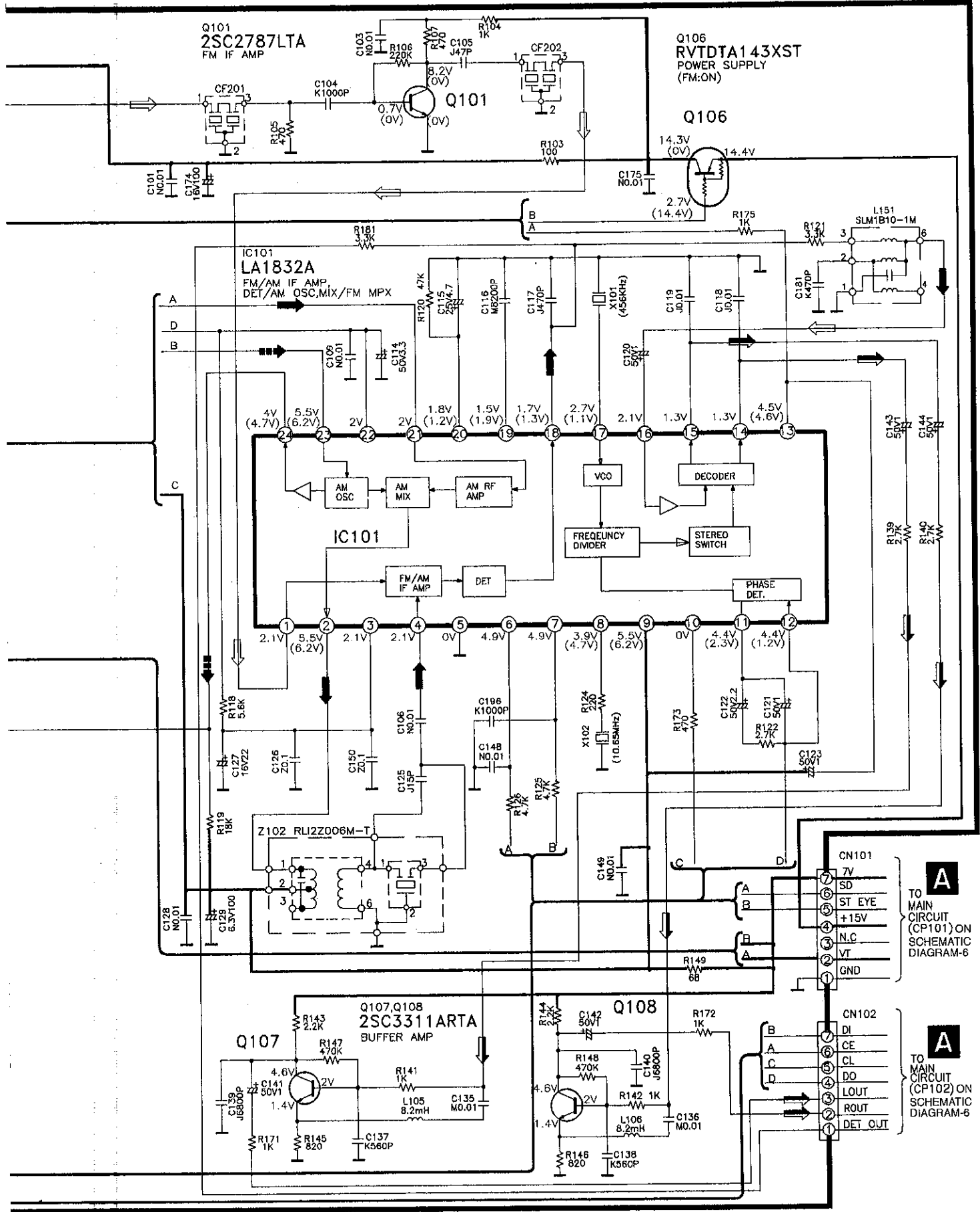
SCHEMATIC DIAGRAM-3

— : +B Line - - - : -B Line ⇨ : Main Signal Line ⇨⇨ : Record Signal Line



SCHEMATIC DIAGRAM-5

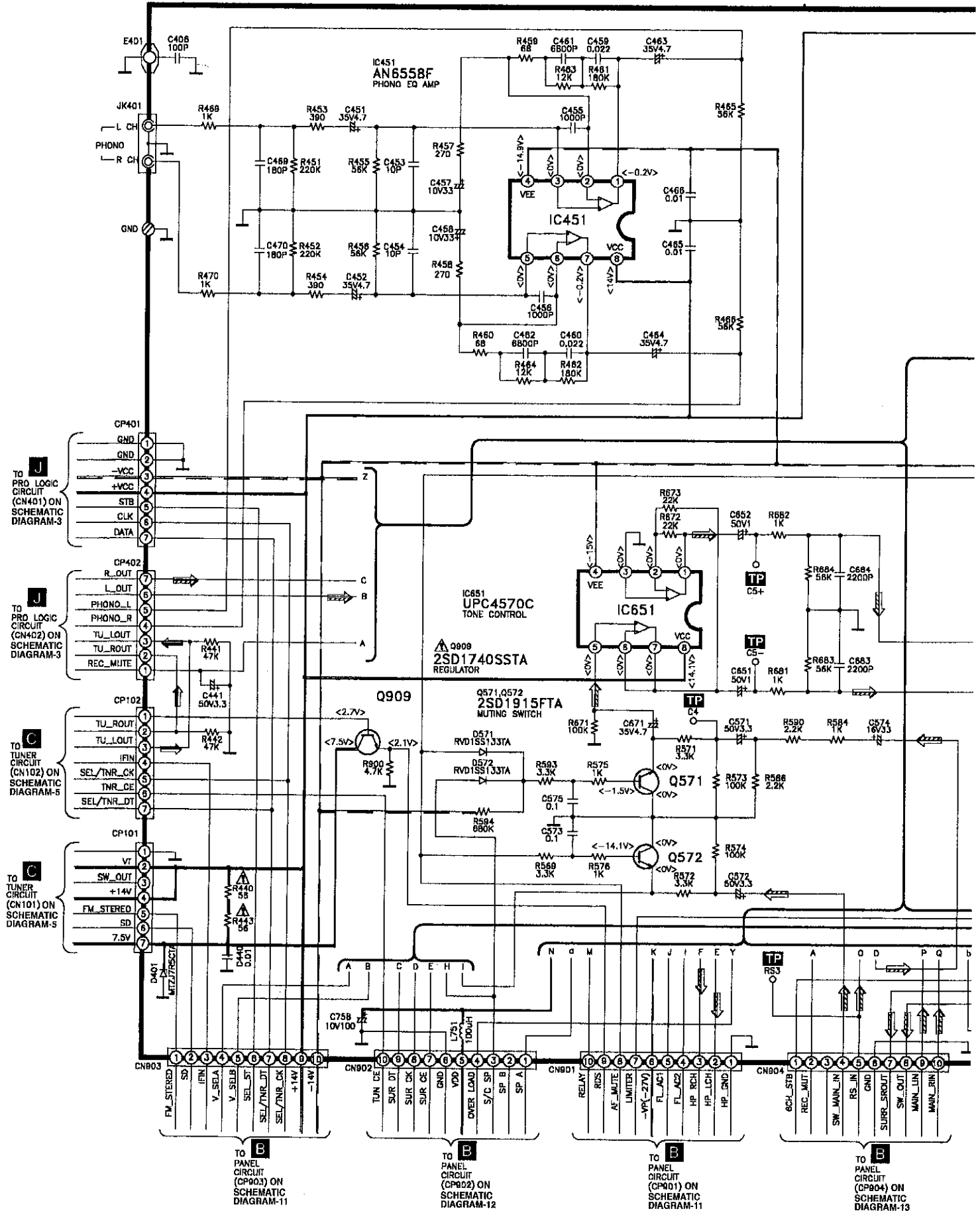
- : +B Line
- - - : -B Line
- ▬▬▬ : AM OSC Signal Line
- ▬▬▬ : FM Signal Line
- ▬▬▬ : AM Signal Line
- ▬▬▬ : FM OSC Signal Line
- ▬▬▬ : FM/AM Signal Line



SCHEMATIC DIAGRAM-6

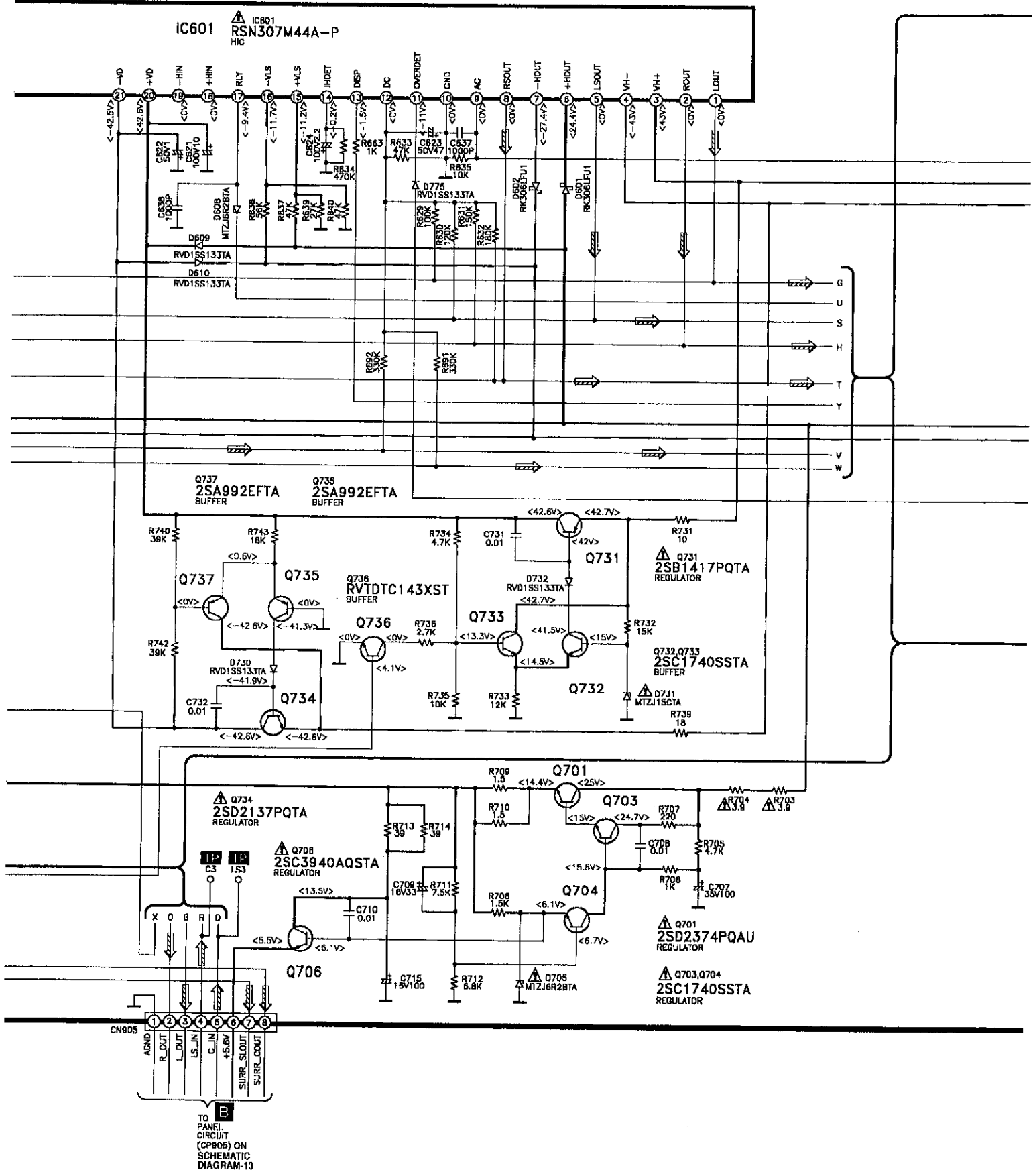
A MAIN CIRCUIT
(P.C.Board on page 40)

— : +B Line ⇨ : Main Signal Line
 - - - : -B Line ⇨ : FM/AM Signal Line



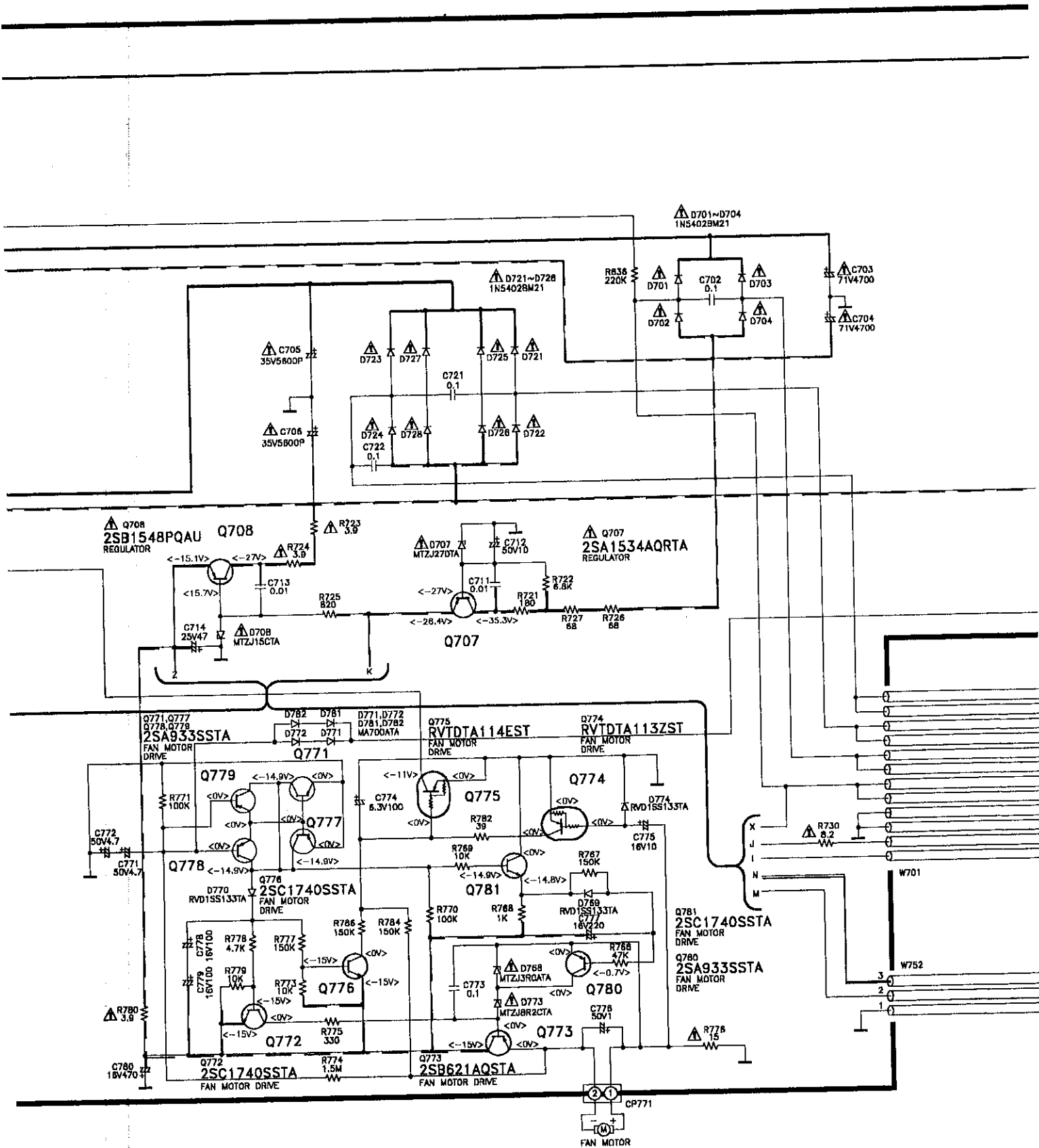
SCHEMATIC DIAGRAM-8

— : +B Line - - - : -B Line ⇨ : Main Signal Line



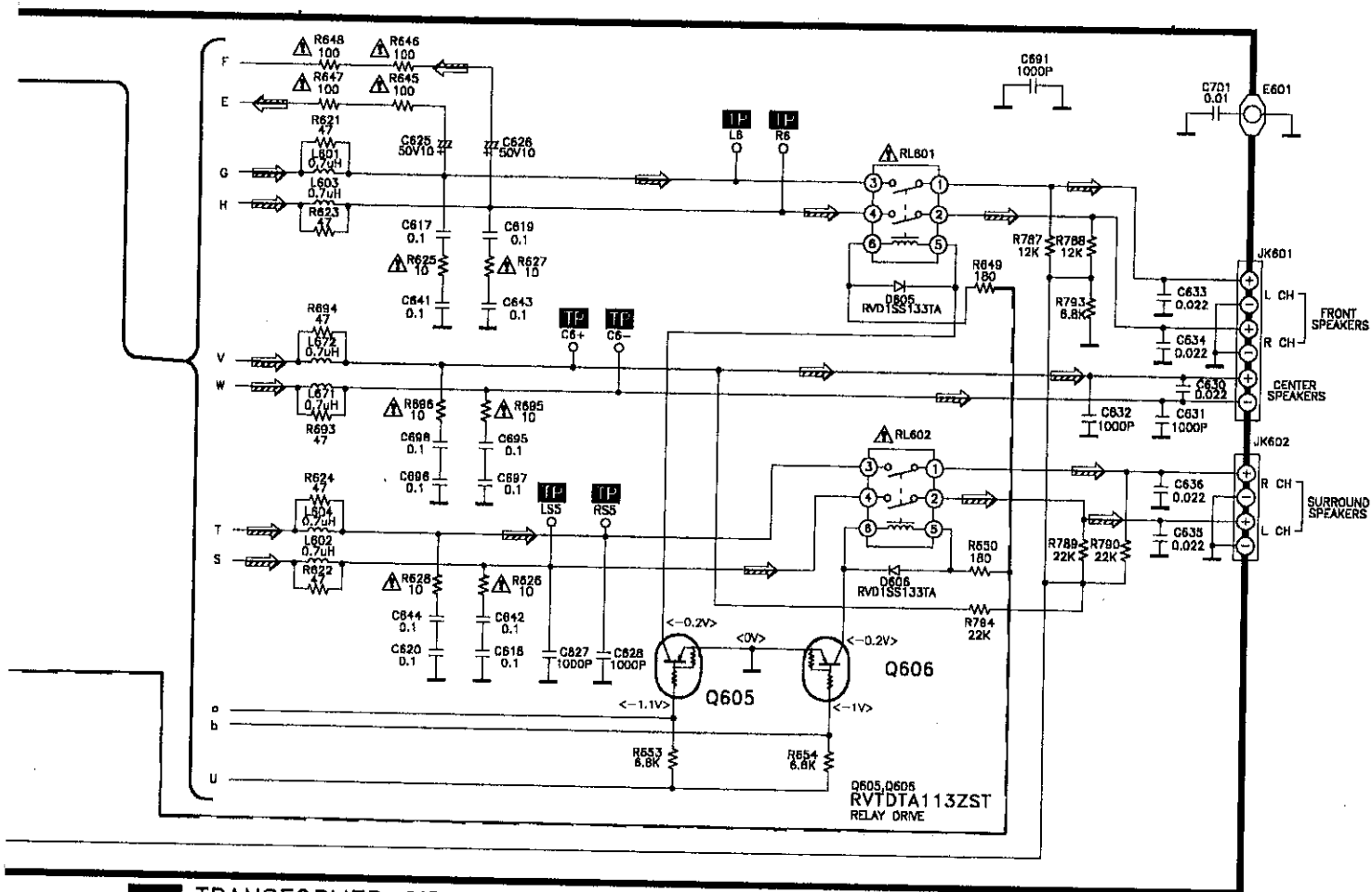
SCHEMATIC DIAGRAM-9

— : +B Line - - - : -B Line ⇨ : Main Signal Line

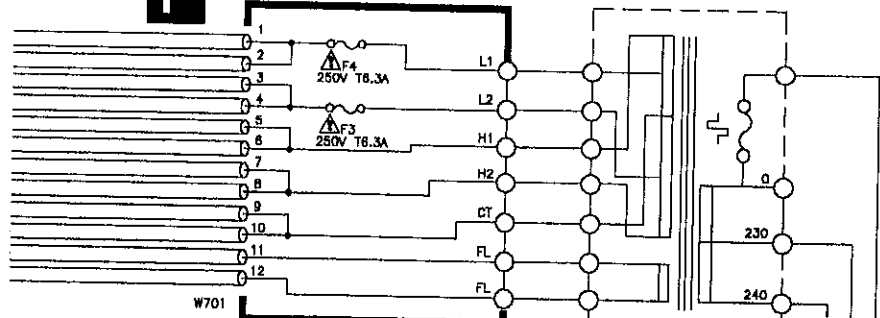


SCHEMATIC DIAGRAM-10

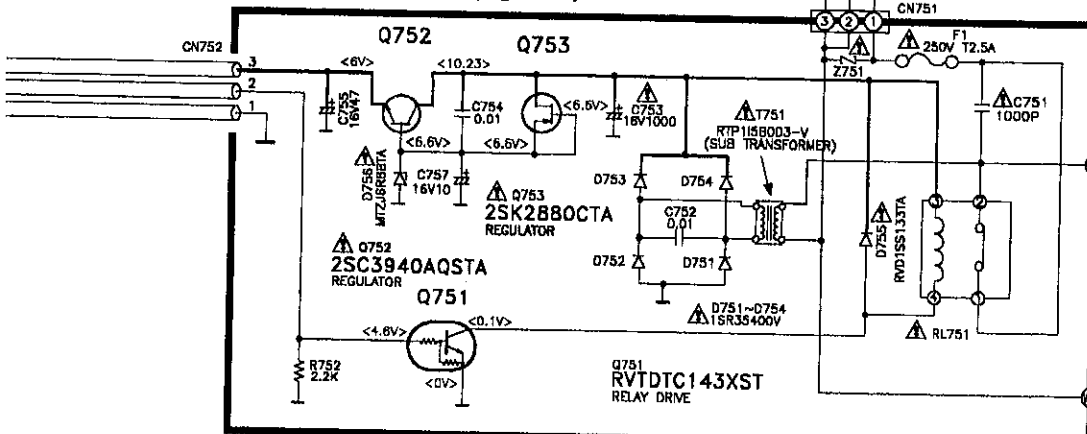
— : +B Line - - - : -B Line ⇨ : Main Signal Line



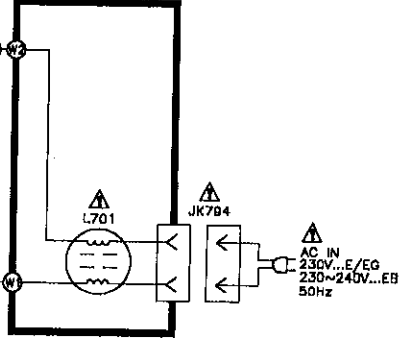
F TRANSFORMER CIRCUIT (P.C.Board on page 46)



E POWER CIRCUIT (P.C.Board on page 46) (POWER TRANSFORMER)



G AC IN/OUT CIRCUIT (P.C.Board on page 43)



SCHEMATIC DIAGRAM-11

_____ : +B Line - - - - - : -B Line

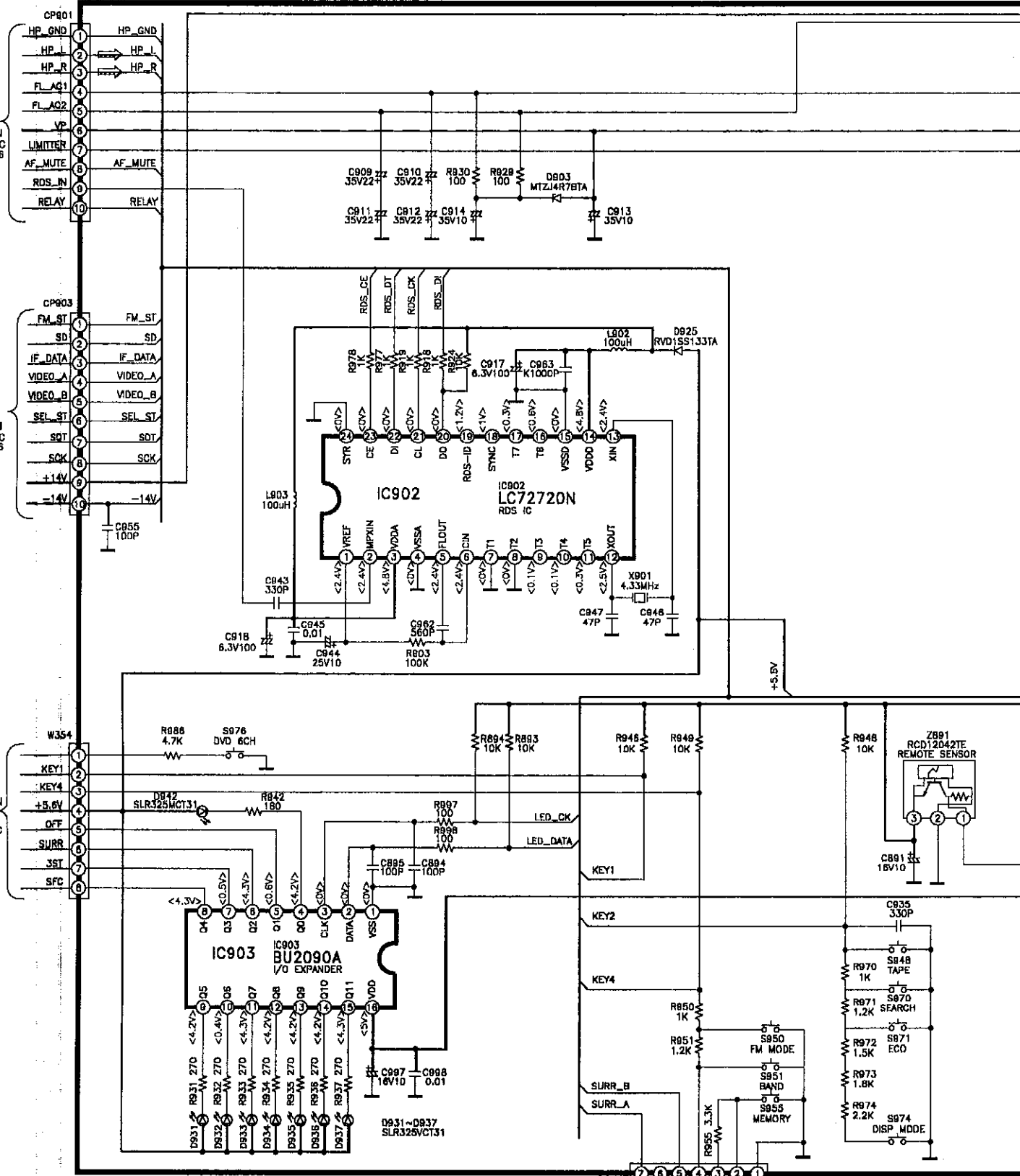
B PANEL CIRCUIT (P.C.Board on page 42)

TO MAIN CIRCUIT (CN9D1) ON SCHEMATIC DIAGRAM-6

TO MAIN CIRCUIT (CN9O3) ON SCHEMATIC DIAGRAM-6

TO OPERATION CIRCUIT (W354) ON SCHEMATIC DIAGRAM-1

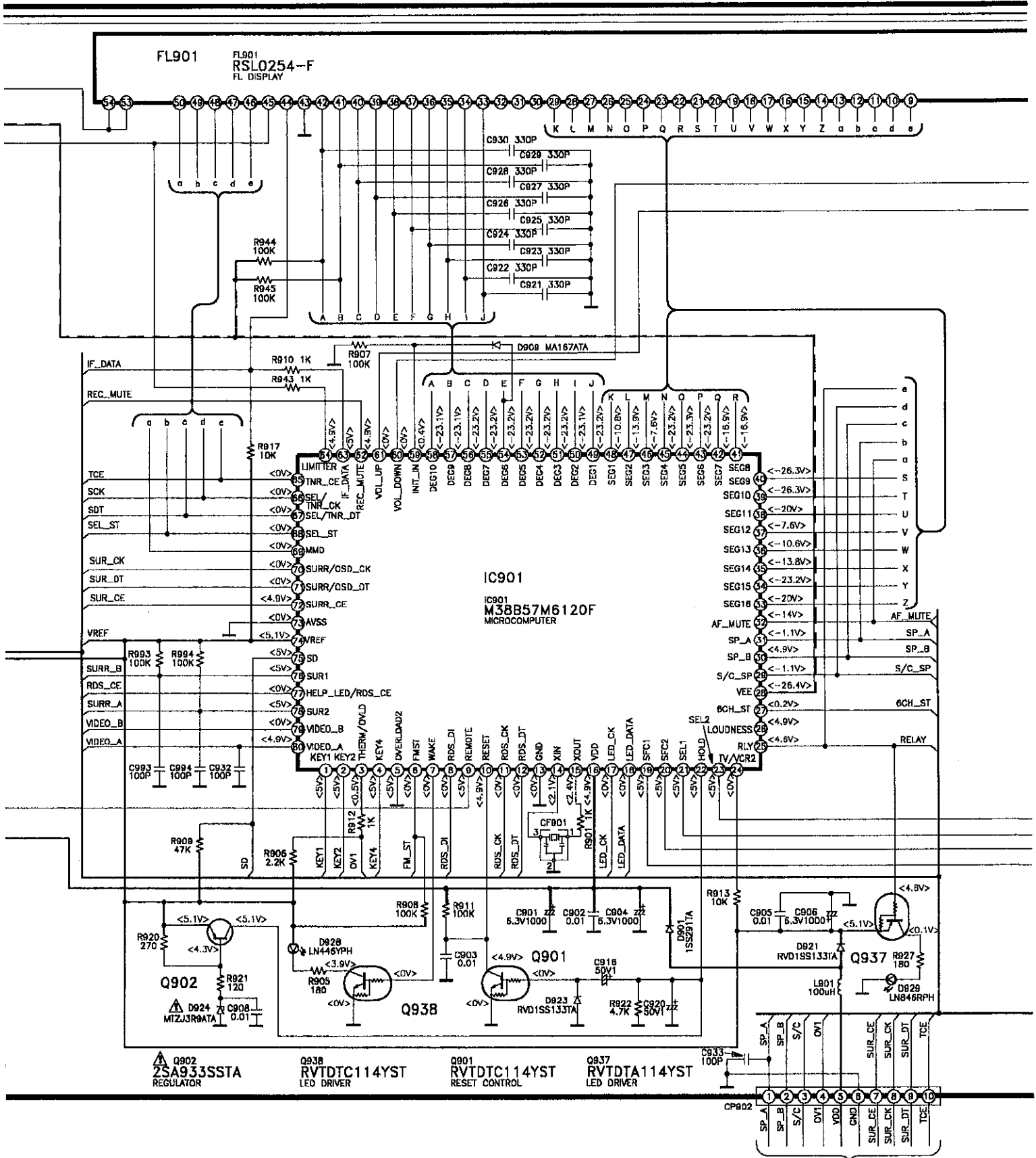
TO OPERATION CIRCUIT (W355) ON SCHEMATIC DIAGRAM-1



SCHEMATIC DIAGRAM-12

— : +B Line

- - - - - : -B Line



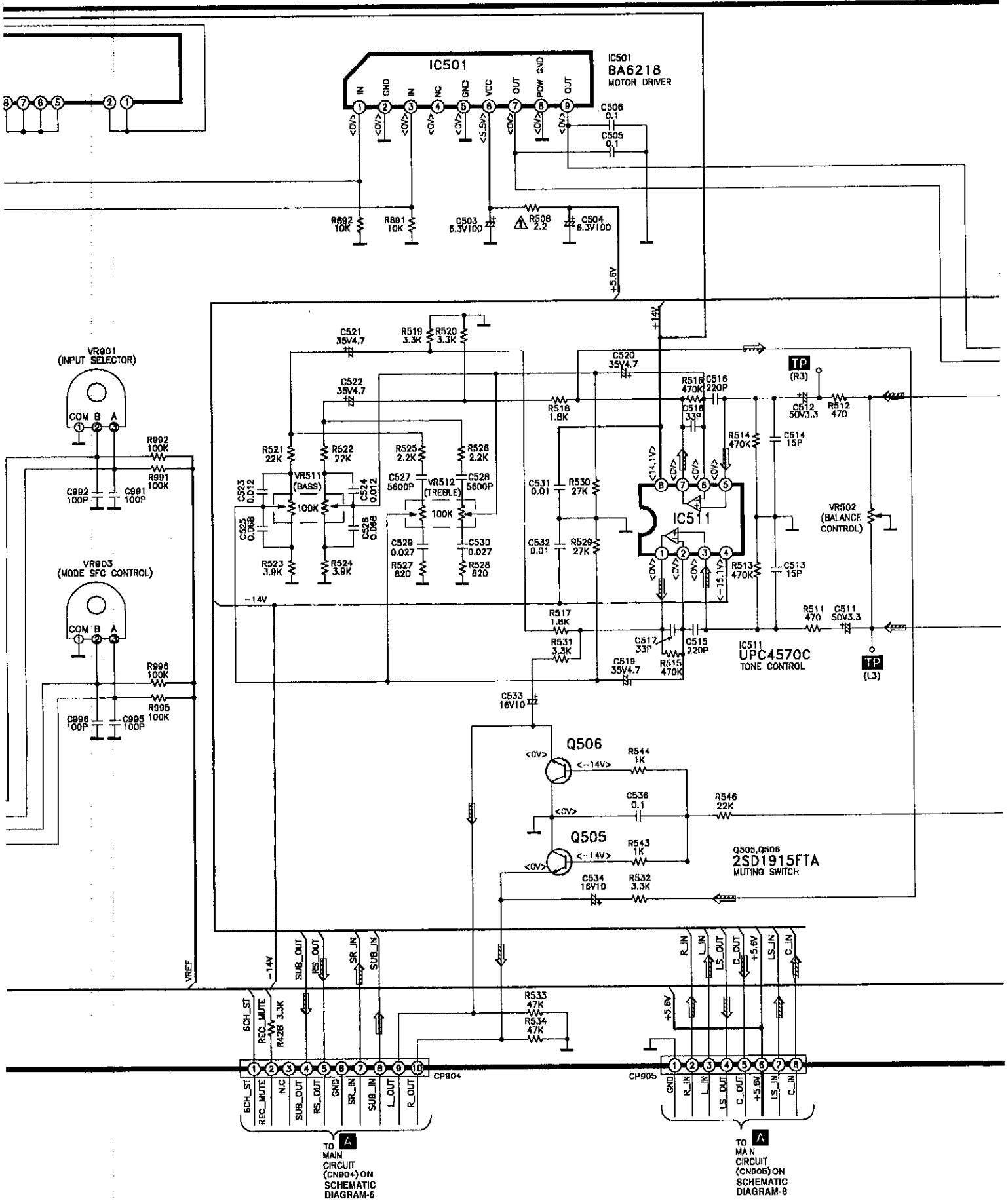
TO MAIN CIRCUIT (CN902) ON SCHEMATIC DIAGRAM-6

SCHEMATIC DIAGRAM-13

— : +B Line

- - - : -B Line

⇒ : Main Signal Line

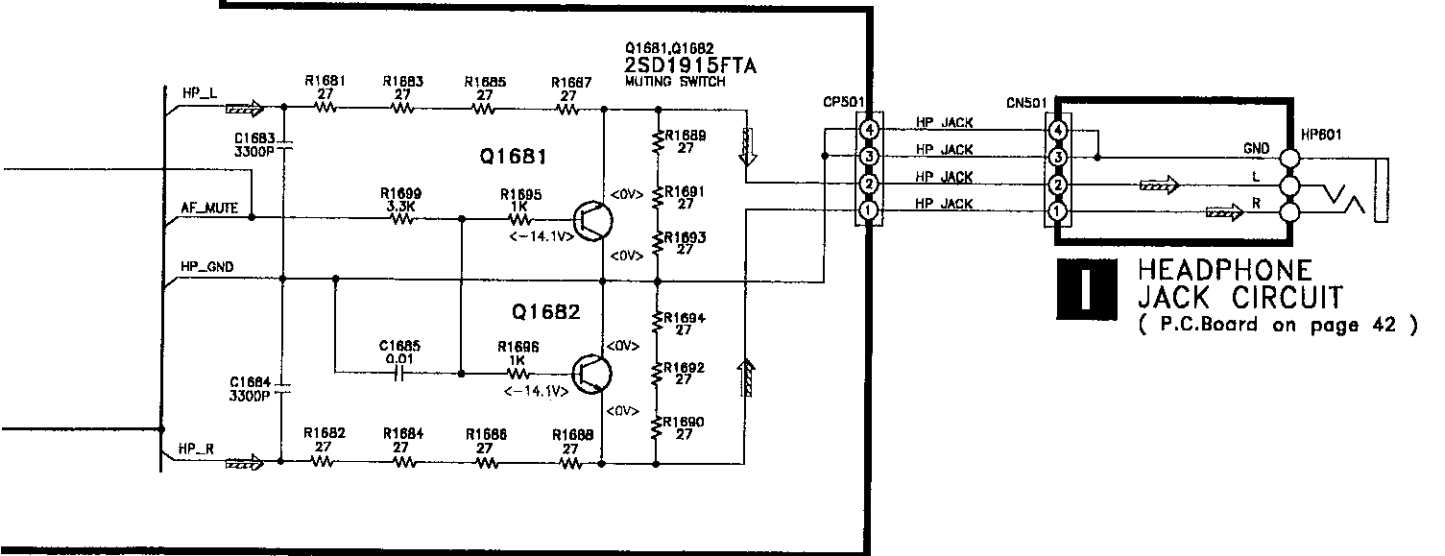
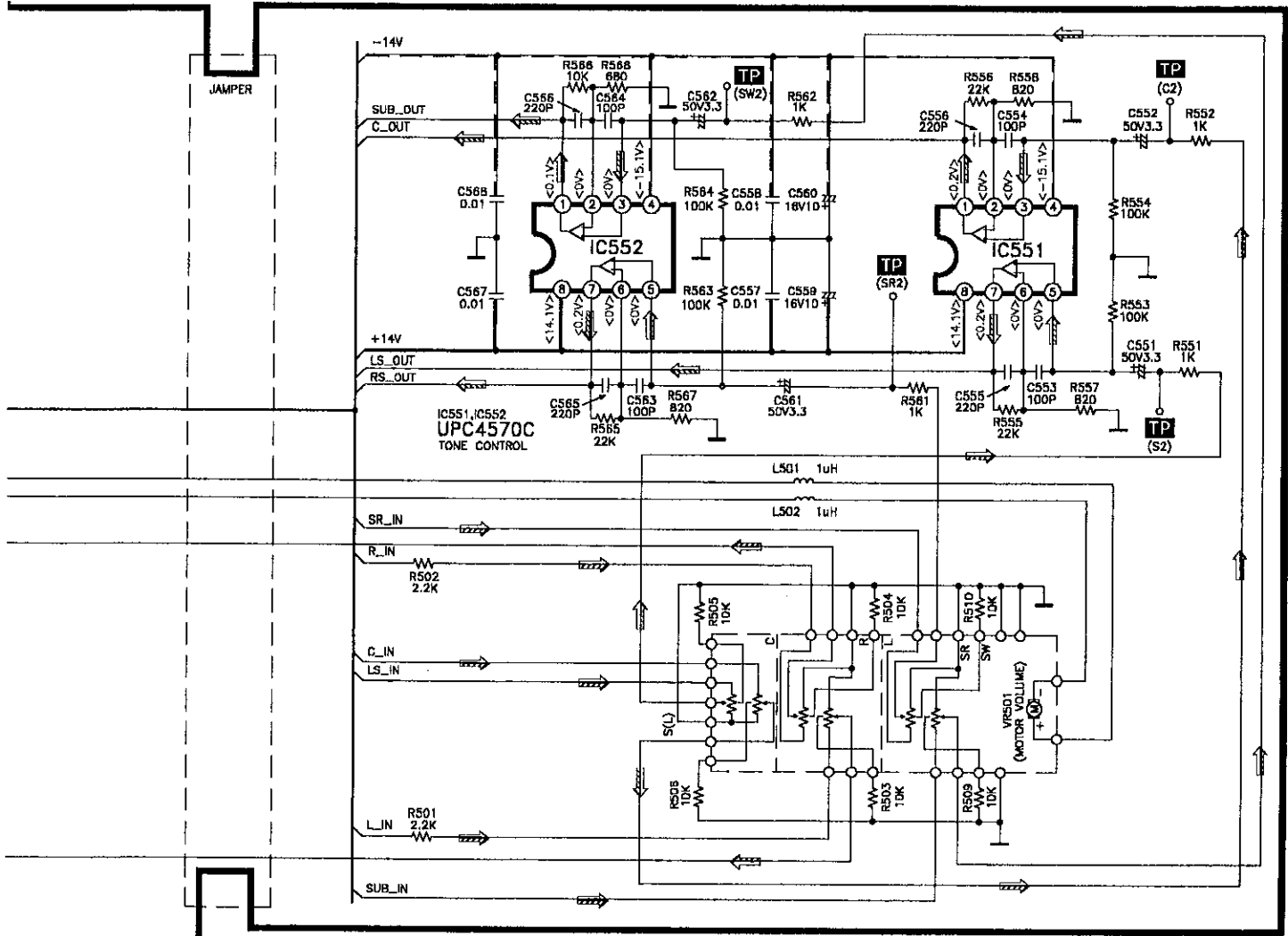


SCHEMATIC DIAGRAM-14

----- : +B Line

- - - - - : -B Line

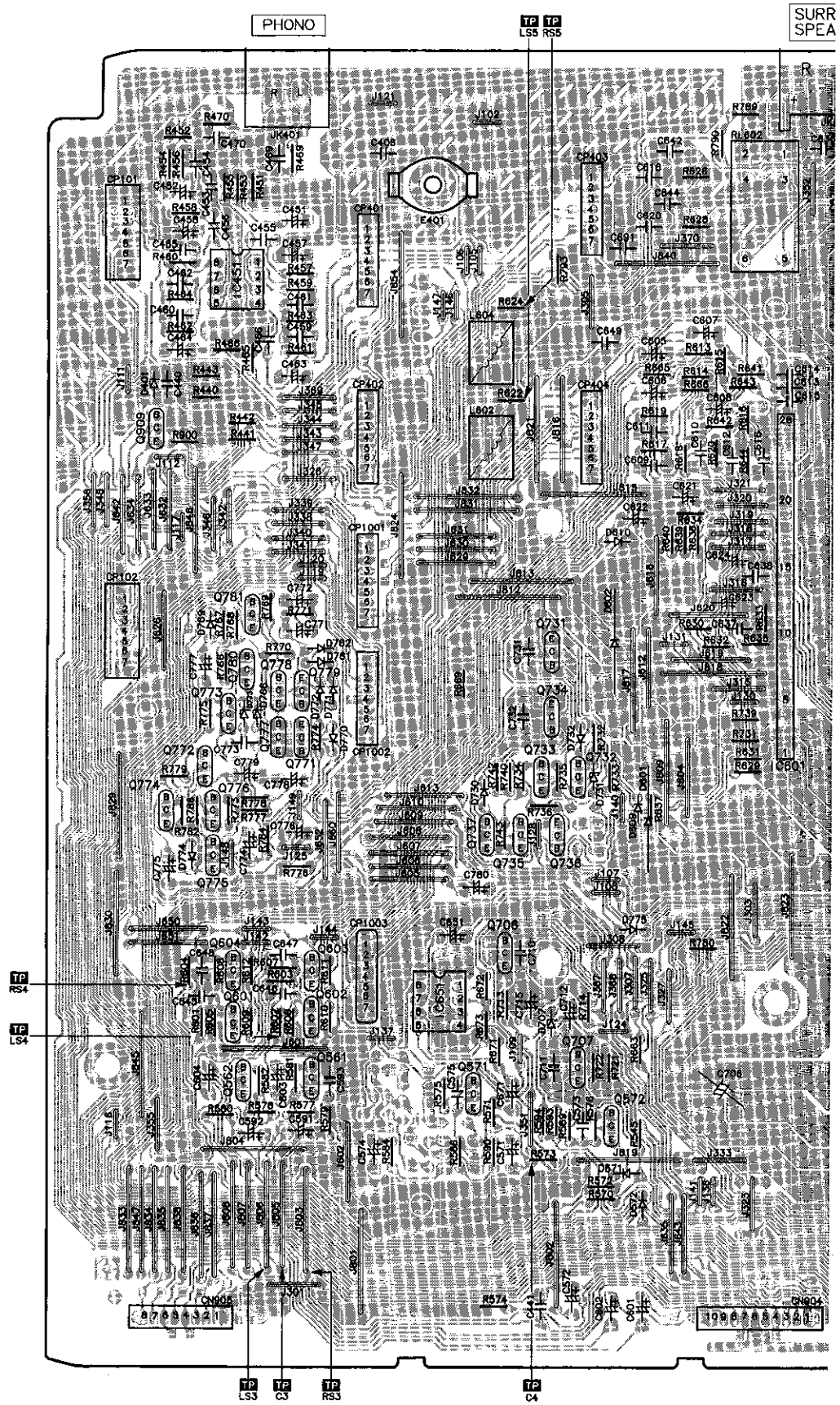
====> : Main Signal Line



A B C D E F G H

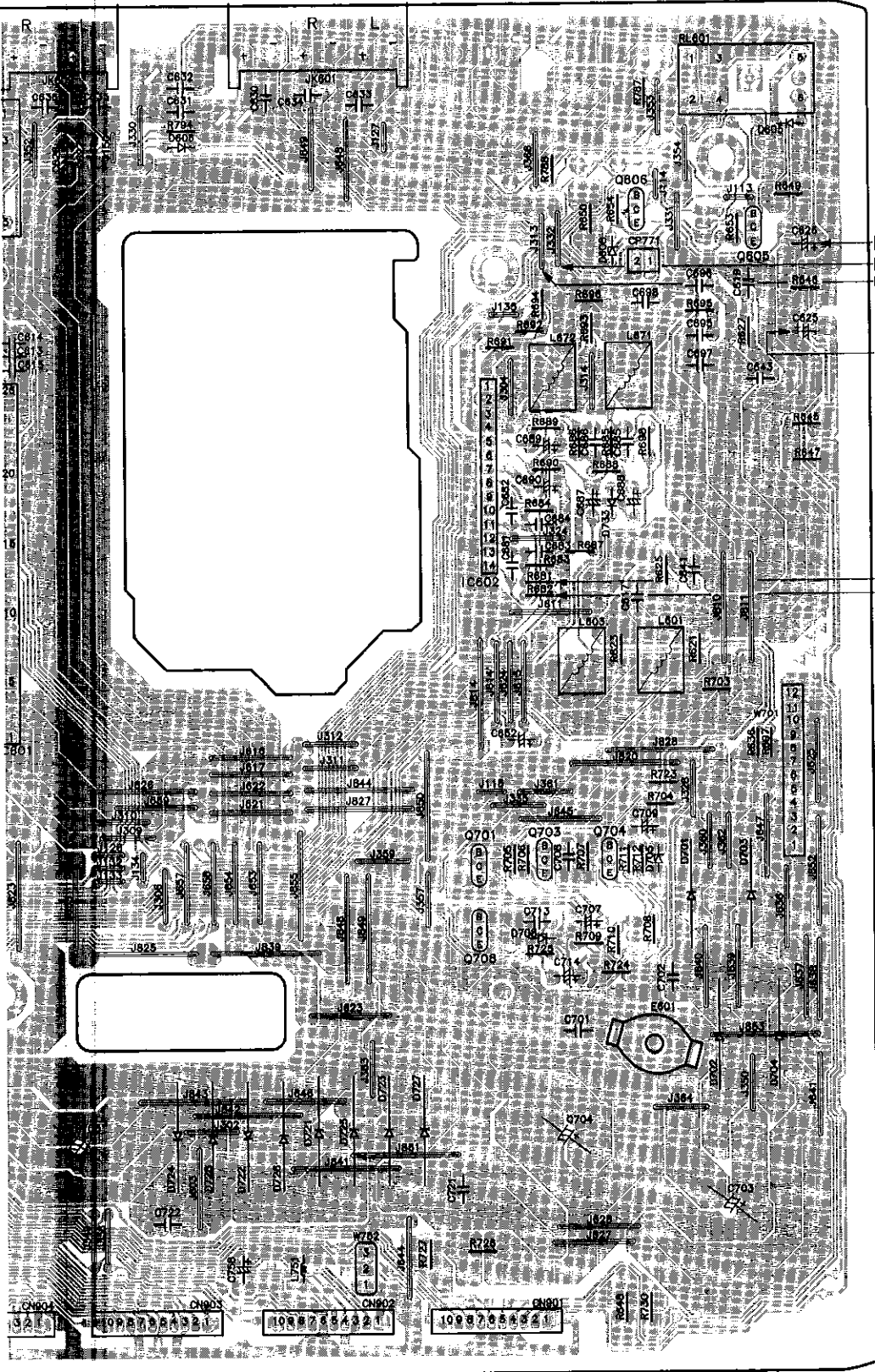
A MAIN P.C.B. (REP2742B-M)

1
2
3
4
5
6
7
8
9
10



H I J K L M N

SURROUND SPEAKERS CENTER SPEAKERS FRONT SPEAKERS



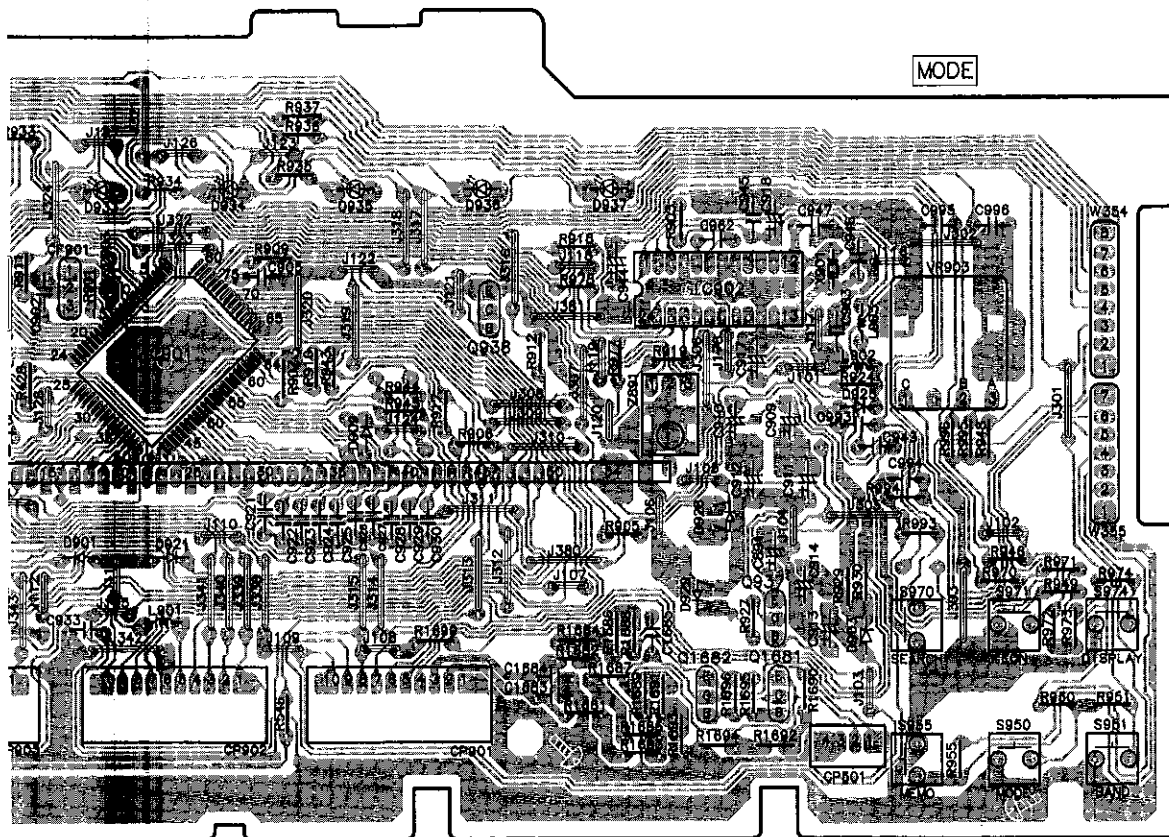
Semiconductors Locations Table

Ref. No	Loc. No	Ref. No	Loc. No
CN901	J9	IC451	D3
CN902	I9	IC601	G5
CN903	H9	IC602	J4
CN904	G9	IC651	E7
CN905	C9	JK401	D2
CP1001	E5	JK601	I1
CP1002	E9	JK602	H1
CP1003	E7	L601	L5
CP101	C2	L602	E4
CP102	C5	L603	K6
CP401	E2	L604	E3
CP402	E3	L671	K3
CP403	F2	L672	K3
CP404	F3	L751	I9
D401	C3	Q561	E8
D571	F8	Q562	E8
D572	F9	Q571	F8
D601	G6	Q572	G8
D602	F5	Q601	D8
D605	L2	Q602	E7
D606	K3	Q603	E7
D608	K3	Q604	D7
D609	G6	Q605	L3
D610	F4	Q606	K2
D701	L6	Q701	J6
D702	D9	Q703	K6
D703	L6	Q704	K6
D704	M8	Q706	F7
D705	E9	Q707	F8
D707	F8	Q708	J7
D708	K7	Q731	F5
D721	I8	Q732	F6
D722	I9	Q733	F6
D723	J8	Q734	F5
D724	H9	Q735	F6
D730	E6	Q737	E6
D731	F6	Q772	C6
D732	F6	Q773	D5
D733	K4	Q774	C6
D768	D5	Q775	D7
D769	D5	Q776	D6
D770	E6	Q777	D5
D771	D5	Q778	D5
D772	D5	Q780	D5
D773	D5	Q781	D4
D774	D6	RL601	L1
D775	F7	RL602	G2
E401	E2	W701	L5
E801	L8	W752	J9

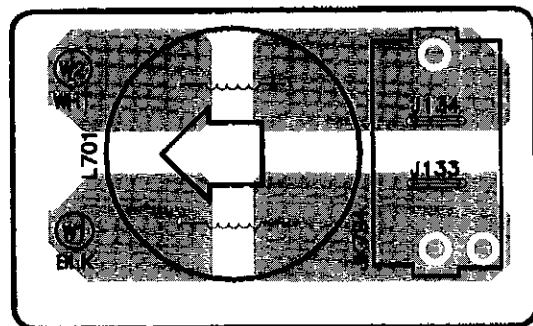


Semiconductors Locations Table

Ref. No	Loc. No
CF901	H3
D901	H5
D903	L5
D909	I4
D921	I5
D923	G4
D924	G4
D925	L4
D928	K5
D931	G3
D932	G3
D935	I3
D936	J3
D937	K3
D942	E3
L501	C2
L502	C2
L801	H5
L902	L4
L903	L3
Q1681	L5
Q1682	K5
Q505	E4
Q506	F4
Q901	G4
Q902	G4
Q937	K5
Q938	J3
S948	D4
S950	L5
S951	M6
S955	M6
S976	L6
S970	L5
S971	M5
S974	M5

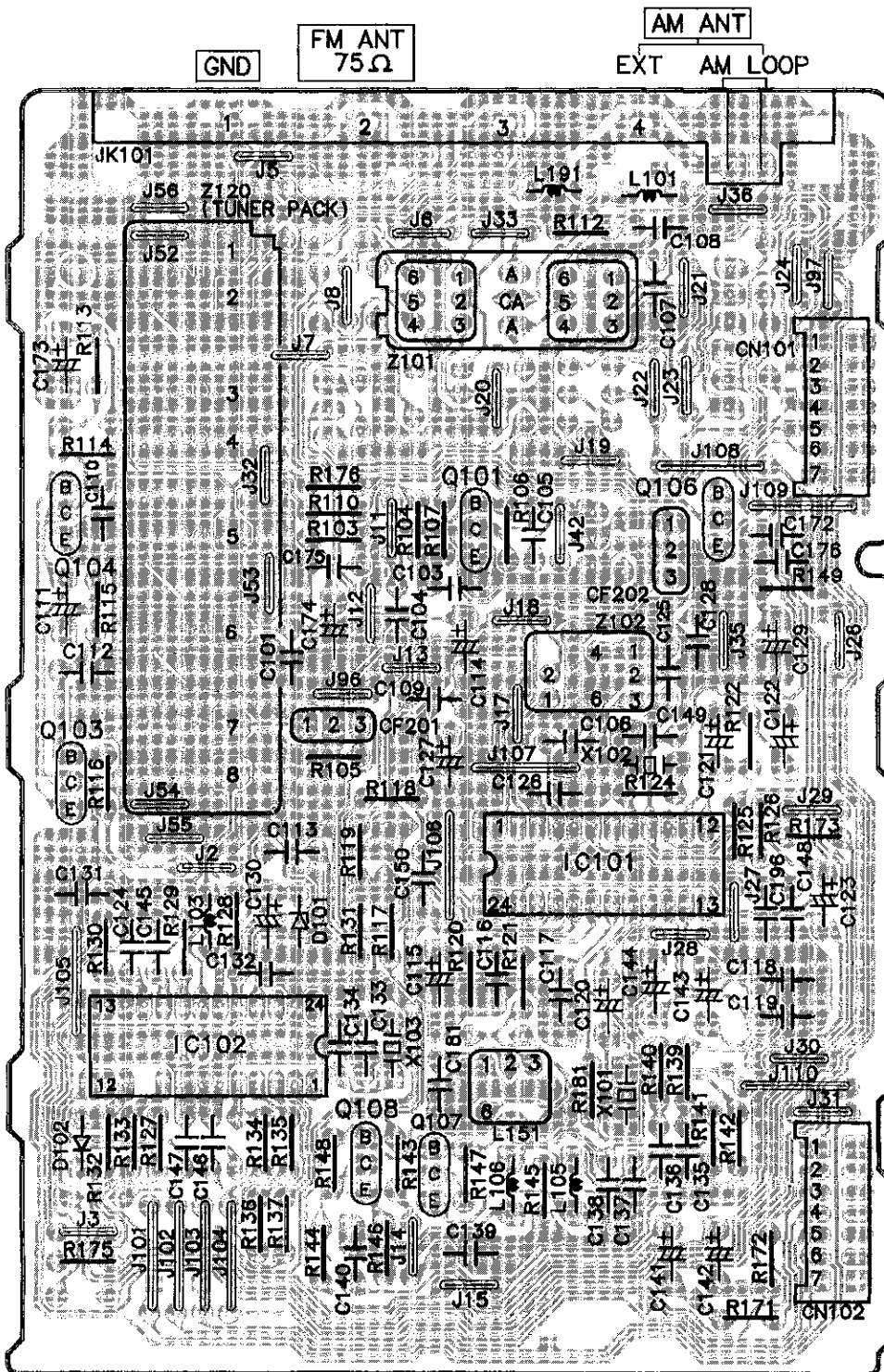


G AC IN/OUT P.C.B. (REP2744C-P) ... E/EG (REP2744D-P) ... EB

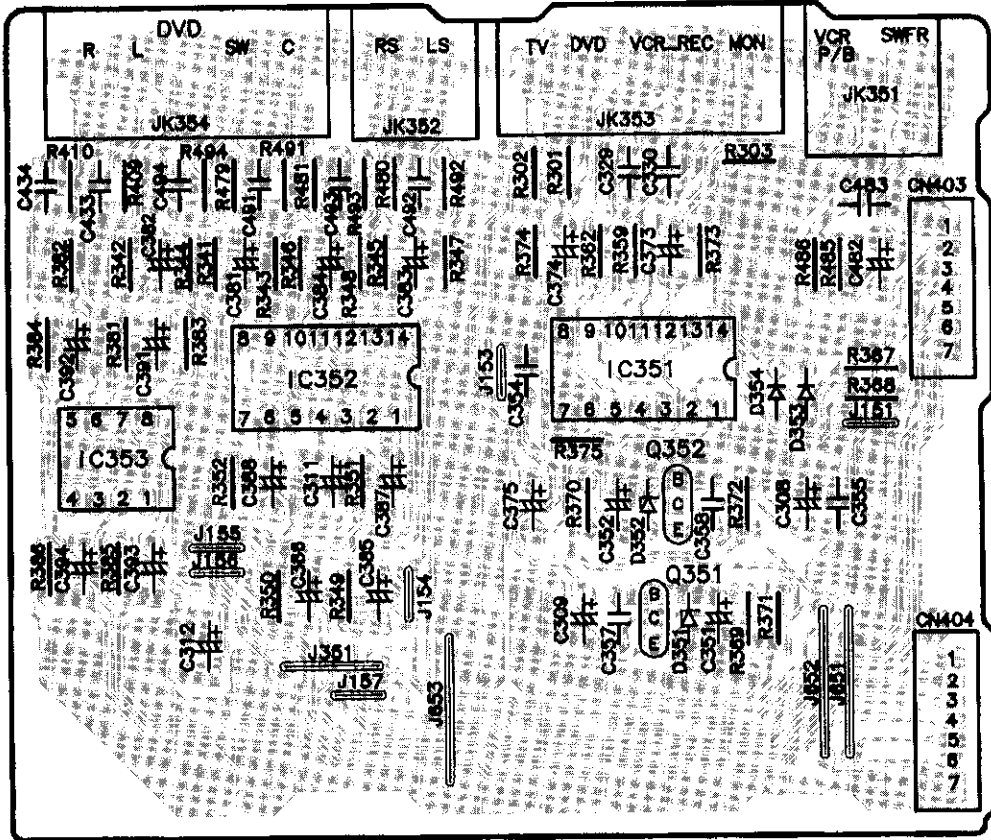


AC IN ~
 230-240V ... EB
 50HZ
 230V ... E/EG
 50HZ

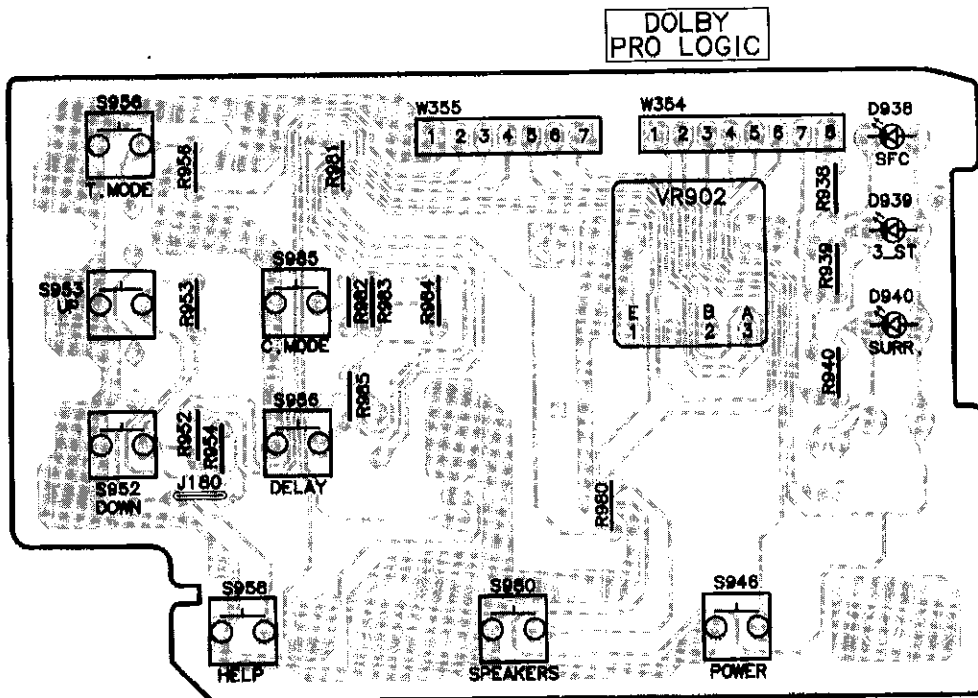
C TUNER P.C.B. (REP2254C-T)



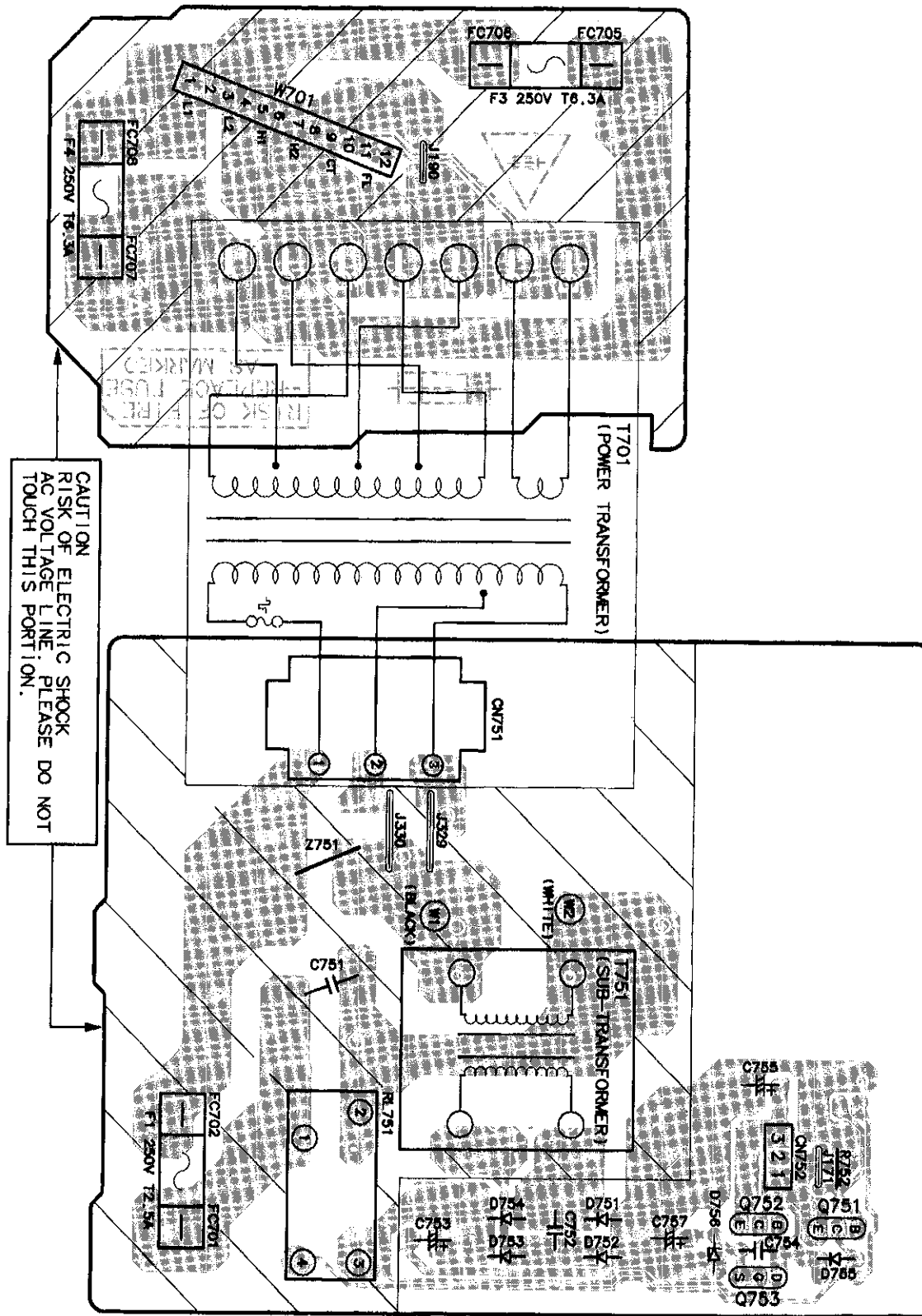
K AC-3 P.C.B. (REP2744C-P) ... E/EG (REP2744D-P) ... EB



H OPERATION P.C.B. (REP2743B-S)



F TRANSFORMER P.C.B. (REP2742B-M)



E POWER P.C.B. (REP2744C-P) ... E/EG (REP2744D-P) ... EB

■ Replacement Parts List

Notes: * Important safety notice :

 Components identified by \triangle mark have special characteristics important for safety.

Furthermore, special parts which have purposes of fire-retardant (resistors), high-quality sound (capacitors), low-noise (resistors), etc. are used. When replacing any of components, be sure to use only manufacturer's specified parts shown in the parts list.

* The parenthesized in the Remarks columns specify the areas. (Refer to the cover page for area.)

Parts without these indication can be used for all areas.

* [M] in Remarks column indicates parts that are supplied by MESA.

Ref No.	Part No.	Part Name & Description	Remarks	Ref No.	Part No.	Part Name & Description	Remarks	Ref No.	Part No.	Part Name & Description	Remarks
		CABINET AND CHASSIS		39	RMV0158	SEL LED COVER	[M]	Q106	RVTDTA143XST	TRANSISTOR	[M]
				40	RMV0159	P-L LED COVER	[M]	Q107	2SC3311ARTA	TRANSISTOR	[M]
1	FKM0374D-K	TOP CABINET	[M]	42	RGU1718-K	6CH BUTTON	[M]	Q108	2SC3311ARTA	TRANSISTOR	[M]
2	RGR0277B-A	REAR PANEL	[M]E G E	43	XTB3+6G	SCREW (FOOT)	[M]	Q351	2SD592AQSTA	TRANSISTOR	[M] \triangle
2	RGR0277B-B	REAR PANEL	[M]E B	44	RMN0502	LED HOLDER	[M]	Q352	2SB621AQSTA	TRANSISTOR	[M] \triangle
3	RGW0278-K	VOLUME KNOB	[M]	45	RGU1719-K	MONITOR BUTTON	[M]	Q401	2SK2880CTA	TRANSISTOR	[M]
4	RKA0079-A	LEG UNIT	[M]	47	RMZ0339	ZNR COVER	[M]	Q402	2SK2880CTA	TRANSISTOR	[M]
5	RKQ0089-J	PCB HOLDER	[M]					Q505	2SD1915FTA	TRANSISTOR	[M]
6	RMK0350-3	BOTTOM CHASSIS	[M]			INTEGRATED CIRCUITS		Q506	2SD1915FTA	TRANSISTOR	[M]
7	RMN0372A	FL HOLDER	[M]					Q561	2SD1915FTA	TRANSISTOR	[M]
9	SJS9231A	A/C INLET COVER	[M]	IC101	LA1832A	IC, IF/MPX	[M]	Q562	2SD1915FTA	TRANSISTOR	[M]
10	RXX0207	HEAT SINK UNIT	[M]	IC102	LC7218	IC, PLL	[M]	Q571	2SD1915FTA	TRANSISTOR	[M]
11	REM0080	FAN UNIT	[M]	IC351	NJM2279D	IC, VIDEO SELECTOR	[M]	Q572	2SD1915FTA	TRANSISTOR	[M]
12	RGK0992-N	LIGHT GUIDE RING	[M]	IC352	NJM2060D	IC, OP AMP	[M]	Q601	2SC1740SSTA	TRANSISTOR	[M]
13	RGK0993-N	VOLUME RING	[M]	IC353	UPC4570C	IC, TONE CONTROL	[M]	Q602	2SC1740SSTA	TRANSISTOR	[M]
14	RGK0994-N	SELECTOR RING	[M]	IC401	TC9163AN	IC, SELECTOR	[M]	Q603	2SC1740SSTA	TRANSISTOR	[M]
15	RGK0995-N	PRO LOGIC RING	[M]	IC402	UPC4570C	IC, TONE CONTROL	[M]	Q604	2SC1740SSTA	TRANSISTOR	[M]
16	RGL0401-Q	LIGHT GUIDE	[M]	IC451	AN6558F	IC, OP AMP	[M]	Q605	RVTDTA113ZST	TRANSISTOR	[M]
17	RGL0402-Q	P/L LIGHT GUIDE	[M]	IC501	BA6218	IC, MOTOR DRIVER	[M]	Q606	RVTDTA113ZST	TRANSISTOR	[M]
18	RGL0403-Q	6CH LIGHT GUIDE	[M]	IC511	UPC4570C	IC, TONE CONTROL	[M]	Q701	2SD2374PQAU	TRANSISTOR	[M] \triangle
19	RGQ0231-K	FAN COVER	[M]	IC551	UPC4570C	IC, TONE CONTROL	[M]	Q703	2SC1740SSTA	TRANSISTOR	[M] \triangle
21	RGU1713A-K	MODE BUTTON	[M]	IC552	UPC4570C	IC, TONE CONTROL	[M]	Q704	2SC1740SSTA	TRANSISTOR	[M] \triangle
22	RGW0279-K	TONE KNOB	[M]	IC601	RSN307M44A-P	IC, HIC	[M] \triangle	Q706	2SC3940AQSTA	TRANSISTOR	[M] \triangle
23	RGW0280-K	SELECTOR KNOB	[M]	IC602	RSN35H1-P	IC	[M] \triangle	Q707	2SA1594AQRTA	TRANSISTOR	[M] \triangle
24	RHD26016	SCREW	[M]	IC651	UPC4570C	IC, TONE CONTROL	[M]	Q708	2SB1548PQAU	TRANSISTOR	[M] \triangle
25	RHN90001	M9 NUT	[M]	IC901	M38B57M6120F	IC, MICRO COMPUTER	[M]	Q731	2SB1417PQTA	TRANSISTOR	[M] \triangle
26	RMC0158-S	TRANSISTOR HOLDER	[M]	IC902	LC72720N	IC, RDS	[M]	Q732	2SC1740SSTA	TRANSISTOR	[M]
27	RMQ0709	TUNER PCB BRACKET	[M]	IC903	BU2090A	IC, EXPENDER	[M]	Q733	2SC1740SSTA	TRANSISTOR	[M]
28	RFKGAAX530EK	FRONT PANEL ASS'Y	[M]	IC1001	LA2786L	IC, DPL	[M]	Q734	2SD2137PQTA	TRANSISTOR	[M] \triangle
28-1	RKW0533E-Q	FL WINDOW	[M]	IC1002	LV1016L	IC, SURR DECODER	[M]	Q735	2SA992EFTA	TRANSISTOR	[M]
29	SNE2123	EARTH TERMINAL	[M]	IC1003	TC9214AP	IC, SELECTOR	[M]	Q736	RVTDTA143XST	TRANSISTOR	[M]
30	SNE2129-3	SCREW (CABINET)	[M]	IC1004	TC9162AN	IC, SELECTOR	[M]	Q737	2SA992EFTA	TRANSISTOR	[M]
32	XTB3+20JFZ	SCREW	[M]	IC1151	UPC4570C	IC, TONE CONTROL	[M]	Q751	RVTDTA143XST	TRANSISTOR	[M]
33	XTB3+35JFZ	SCREW (FAN)	[M]					Q752	2SC3940AQSTA	TRANSISTOR	[M] \triangle
34	XTB3+8FFZ	SCREW	[M]			TRANSISTORS		Q753	2SK2880CTA	TRANSISTOR	[M] \triangle
35	XTB3+8JFZ	SCREW	[M]					Q771	2SA933SSTA	TRANSISTOR	[M]
36	XTBS26+10J	SCREW	[M]	Q101	2SC2787LTA	TRANSISTOR	[M]	Q772	2SC1740SSTA	TRANSISTOR	[M]
37	XTBS3+8JFZ1	SCREW	[M]	Q103	2SC2785FETA	TRANSISTOR	[M]	Q773	2SB621AQSTA	TRANSISTOR	[M]
38	XTW3+15T	SCREW	[M]	Q104	2SC2785FETA	TRANSISTOR	[M]	Q774	RVTDTA113ZST	TRANSISTOR	[M]

Ref No.	Part No.	Part Name & Description	Remarks	Ref No.	Part No.	Part Name & Description	Remarks	Ref No.	Part No.	Part Name & Description	Remarks
Q775	RVTDTA114EST	TRANSISTOR	[M]	D726	1N5402BM21	DIODE	[M] △			VARIABLE RESISTORS	
Q776	2SC1740SSTA	TRANSISTOR	[M]	D727	1N5402BM21	DIODE	[M] △				
Q777	2SA933SSTA	TRANSISTOR	[M]	D728	1N5402BM21	DIODE	[M] △	VR501	EJWM6A026B15	VR, MOTOR VOLUME	[M]
Q778	2SA933SSTA	TRANSISTOR	[M]	D730	RVD1SS133TA	DIODE	[M] △	VR502	EW0YAF20G15	VR, BALANCE CONTROL	[M]
Q779	2SA933SSTA	TRANSISTOR	[M]	D731	MTZJ15CTA	DIODE	[M] △	VR511	EW01XA020C15	VR, TONE CONTROL	[M]
Q780	2SA933SSTA	TRANSISTOR	[M]	D732	RVD1SS133TA	DIODE	[M]	VR512	EW01XA020C15	VR, TONE CONTROL	[M]
Q781	2SC1740SSTA	TRANSISTOR	[M]	D733	RVD1SS133TA	DIODE	[M]	VR901	EVQVBHF112B	VR, BALANCE CONTROL	[M]
Q901	RVTDC114YST	TRANSISTOR	[M]	D751	1SR35400V	DIODE	[M] △	VR902	EVQVBHF112B	VR, BALANCE CONTROL	[M]
Q902	2SA933SSTA	TRANSISTOR	[M] △	D752	1SR35400V	DIODE	[M] △	VR903	EVQVBHF112B	VR, BALANCE CONTROL	[M]
Q909	2SC1740SSTA	TRANSISTOR	[M] △	D753	1SR35400V	DIODE	[M] △				
Q937	RVTDTA114YST	TRANSISTOR	[M]	D754	1SR35400V	DIODE	[M] △			SWITCHES	
Q938	RVTDC114YST	TRANSISTOR	[M]	D755	RVD1SS133TA	DIODE	[M] △				
Q1001	2SC3940AQSTA	TRANSISTOR	[M] △	D756	MTZJ6R8BTA	DIODE	[M] △	S946	EVQ21405R	SW, POWER	[M]
Q1681	2SD1915FTA	TRANSISTOR	[M]	D768	MTZJ3R0ATA	DIODE	[M] △	S948	EVQ21405R	SW, MUTING	[M]
Q1682	2SD1915FTA	TRANSISTOR	[M]	D769	RVD1SS133TA	DIODE	[M]	S950	EVQ21405R	SW, FM MODE	[M]
				D770	RVD1SS133TA	DIODE	[M]	S951	EVQ21405R	SW, BAND	[M]
		DIODES		D771	MA700ATA	DIODE	[M]	S952	EVQ21405R	SW, TUNING DOWN	[M]
				D772	MA700ATA	DIODE	[M]	S953	EVQ21405R	SW, TUNING UP	[M]
D101	MTZJ5R1BTA	DIODE	[M] △	D773	MTZJ8R2CTA	DIODE	[M] △	S955	EVQ21405R	SW, MEMORY	[M]
D102	MA165TA	DIODE	[M]	D774	RVD1SS133TA	DIODE	[M]	S956	EVQ21405R	SW, TUNING MODE	[M]
D351	MTZJ5R6BTA	DIODE	[M] △	D775	RVD1SS133TA	DIODE	[M]	S958	EVQ21405R	SW, HELP	[M]
D352	MTZJ5R6BTA	DIODE	[M] △	D781	MA700ATA	DIODE	[M]	S970	EVQ21405R	SW, SEARCH	[M]
D353	RVD1SS133TA	DIODE	[M]	D782	MA700ATA	DIODE	[M]	S971	EVQ21405R	SW, EON	[M]
D354	RVD1SS133TA	DIODE	[M]	D901	1SS291TA	DIODE	[M]	S974	EVQ21405R	SW, DISPLAY MODE	[M]
D401	MTZJ7R5CTA	DIODE	[M]	D903	MTZJ4R7BTA	DIODE	[M]	S976	EVQ21405R	SW, DVD-6CH	[M]
D403	RVD1SS133TA	DIODE	[M]	D909	MA167ATA	DIODE	[M]	S980	EVQ21405R	SW, SPEAKER A	[M]
D404	RVD1SS133TA	DIODE	[M]	D921	RVD1SS133TA	DIODE	[M]	S985	EVQ21405R	SW, CENTER MODE	[M]
D571	RVD1SS133TA	DIODE	[M]	D923	RVD1SS133TA	DIODE	[M]	S986	EVQ21405R	SW, DELAY	[M]
D572	RVD1SS133TA	DIODE	[M]	D924	MTZJ3R9ATA	DIODE	[M] △				
D601	RK306LFU1	DIODE	[M]	D925	RVD1SS133TA	DIODE	[M]			CONNECTORS	
D602	RK306LFU1	DIODE	[M]	D928	LN446YPH	DIODE	[M]	CN101	RJU057W007	7P CONNECTOR	[M]
D605	RVD1SS133TA	DIODE	[M]	D929	LN846RPH	DIODE	[M]	CN102	RJU057W007	7P CONNECTOR	[M]
D606	RVD1SS133TA	DIODE	[M]	D931	SLR325VCT31	DIODE	[M]	CN401	RJU100W07	7P CONNECTOR	[M]
D608	MTZJ6R2BTA	DIODE	[M]	D932	SLR325VCT31	DIODE	[M]	CN402	RJU100W07	7P CONNECTOR	[M]
D609	RVD1SS133TA	DIODE	[M]	D933	SLR325VCT31	DIODE	[M]	CN403	RJU100W07	7P CONNECTOR	[M]
D610	RVD1SS133TA	DIODE	[M]	D934	SLR325VCT31	DIODE	[M]	CN404	RJU100W07	7P CONNECTOR	[M]
D701	1N5402BM21	DIODE	[M] △	D935	SLR325VCT31	DIODE	[M]	CN501	RJU100W04	4P CONNECTOR	[M]
D702	1N5402BM21	DIODE	[M] △	D936	SLR325VCT31	DIODE	[M]	CN751	SJS305-1	3P CONNECTOR	[M]
D703	1N5402BM21	DIODE	[M] △	D937	SLR325VCT31	DIODE	[M]	CN752	RJS1A6603T1	3P TAPING CONNECTOR	[M]
D704	1N5402BM21	DIODE	[M] △	D938	SLR325VCT31	DIODE	[M]	CN901	RJU003K010M1	10P B/B CONNECTOR	[M]
D705	MTZJ6R2BTA	DIODE	[M] △	D939	SLR325VCT31	DIODE	[M]	CN902	RJU003K010M1	10P B/B CONNECTOR	[M]
D707	MTZJ27DTA	DIODE	[M] △	D940	SLR325VCT31	DIODE	[M]	CN903	RJU003K010M1	10P B/B CONNECTOR	[M]
D708	MTZJ15CTA	DIODE	[M] △	D942	SLR325MCT31	DIODE	[M]	CN904	RJU003K010M1	10P B/B CONNECTOR	[M]
D721	1N5402BM21	DIODE	[M] △	D1001	MTZJ10CTA	DIODE	[M] △	CN905	RJU003K008M1	BOAD IN CONNECTOR	[M]
				D1002	MA700ATA	DIODE	[M]	CN1001	RJU100W07	7P CONNECTOR	[M]
								CN1002	RJU100W07	7P CONNECTOR	[M]
								CN1003	RJU100W07	7P CONNECTOR	[M]

Ref No.	Part No.	Part Name & Description	Remarks	Ref No.	Part No.	Part Name & Description	Remarks	Ref No.	Part No.	Part Name & Description	Remarks
CP101	RJT057W007-1	7P CONNECTOR	[M]	Z891	RCD12042TE	REMOTE SENSOR	[M]	JK354	SJF3069-13N	JK, LINE IN	[M]
CP102	RJT057W007-1	7P CONNECTOR	[M]					JK401	SJF3068-7N	JK, RCA TERMINAL	[M]
CP401	RJT100W07	7P CONNECTOR	[M]			CERAMIC FILTERS		JK402	SJF3069N	JK, LINE IN	[M]
CP402	RJT100W07	7P CONNECTOR	[M]					JK403	SJF3069N	JK, LINE IN	[M]
CP403	RJT100W07	7P CONNECTOR	[M]	CF201	RLFFETNGD01L	CERAMIC CAPACITOR	[M]	JK404	SJF3069N	JK, LINE IN	[M]
CP404	RJT100W07	7P CONNECTOR	[M]	CF202	RLFFETMGD01L	CERAMIC FILTER	[M]	JK601	RJH5601	JK, SPEAKER TERMINAL	[M]
CP501	RJT100W04	4P CONNECTOR	[M]	CF901	RVCBST4R00MT	CERAMIC OSCILLATOR	[M]	JK602	RJR0054	JK, SPEAKER TERMINAL	[M]
CP771	SJT3213	CONNECTOR (FAN)	[M]	CF1051	RSXY8M00D01T	CERAMIC OSCILLATOR	[M]	JK794	SJS9231-1B	JK, SOCKET	[M] △
CP901	RJT003K010M1	10P CONNECTOR	[M]								
CP902	RJT003K010M1	10P CONNECTOR	[M]			RELAY				EARTH TERMINAL	
CP903	RJT003K010M1	10P CONNECTOR	[M]								
CP904	RJT003K010M1	10P CONNECTOR	[M]	RL601	RSY0013M-0	RELAY	[M] △	E401	SNE1004-3	EARTH TERMINAL	[M]
CP905	RJT003K008M1	8P CONNECTOR	[M]	RL602	RSY0013M-0	RELAY	[M] △	E601	SNE1004-2	EARTH TERMINAL	[M]
CP1001	RJT100W07	7P CONNECTOR	[M]	RL751	RSY0041M-0	TV-5 PRIMARY RELAY	[M] △				
CP1002	RJT100W07	7P CONNECTOR	[M]							WIRES	
CP1003	RJT100W07	7P CONNECTOR	[M]			OSCILLATORS					
		COILS & TRANSFORMERS		X101	RSXZ456KM07M	CERAMIC OSCILLATOR	[M]	W1	REE0889	WIRE	[M]
				X102	RLFDGTD01I	FM REZONATOR	[M]	W2	REE0890	WIRE	[M]
L101	ELESN1R0MA	CHOKO COIL	[M]	X103	RSXD7M20C01	CRYSTAL 7.2 MHZ	[M]	W354	RWJ1808200KK	8P FLAT CABLE	[M]
L103	ELEXTR47MA9	CHOKO COIL	[M]	X901	RSXC4M33S02T	CRYSTAL 4.33 MHZ	[M]	W355	RWJ1807200KK	7P WIRE	[M]
L105	RLQZB822KT-D	TAPING COIL	[M]					W701	RWJ1812220KK	12P WIRE	[M]
L106	RLQZB822KT-D	TAPING COIL	[M]			DISPLAY TUBE		W752	RWJ1803290KQ	3P WIRE	[M]
L151	SLM1B10-1M	A.B. FILTER	[M]								
L191	ELESNR56MA	CHOKO COIL	[M]	FL901	RSL0254-F	FL	[M]				
L501	RLQZP1R0KT-Y	AXIAL COIL	[M]			FUSES					
L502	RLQZP1R0KT-Y	AXIAL COIL	[M]								
L601	RLQYR73MW-E	CHOKO COIL	[M]	F1	XBA2C25TB0	FUSE	[M] △				
L602	RLQYR73MW-E	CHOKO COIL	[M]	F3	XBA2C63TB0	FUSE	[M] △				
L603	RLQYR73MW-E	CHOKO COIL	[M]	F4	XBA2C63TB0	FUSE	[M] △				
L604	RLQYR73MW-E	CHOKO COIL	[M]								
L671	RLQYR73MW-E	CHOKO COIL	[M]			FUSE HOLDERS					
L672	RLQYR73MW-E	CHOKO COIL	[M]								
L701	SLQZ650MH49	AC LINE COIL	[M] △								
L751	RLQB101KTA-Y	CHOKO COIL	[M]	FC701	RJR0169T	FUSE HOLDER	[M]				
L901	RLQB101KTA-Y	CHOKO COIL	[M]	FC702	RJR0169T	FUSE HOLDER	[M]				
L902	RLQZP101KT-Y	AXIAL COIL	[M]	FC705	RJR0169T	FUSE HOLDER	[M]				
L903	RLQZP101KT-Y	AXIAL COIL	[M]	FC706	RJR0169T	FUSE HOLDER	[M]				
L1051	RLQB101KTA-Y	CHOKO COIL	[M]	FC707	RJR0169T	FUSE HOLDER	[M]				
T701	RTP1P5B011-X	TRANSFORMER	[M] △	FC708	RJR0169T	FUSE HOLDER	[M]				
T751	RTP115B003-V	SUB TRANSFORMER	[M] △			JACKS					
		COMPONENT COMBINATION									
				HP601	RJJ63TA01	HP JACK	[M]				
Z101	RLA2Z002M-T	AM ANT. COIL	[M]	JK101	RJH4202-1	JK, ANT TERMINAL	[M]				
Z102	RLI2Z006M-T	AM IFT	[M]	JK351	RJH3210N	JK, 2P RCA PIN	[M]				
Z120	ENV17290G1Y	FM TUNER PACK	[M]	JK352	SJF3068-7N	JK, RCA TERMINAL	[M]				
Z751	ERZV10V511CS	ZNR	[M] △	JK353	SJF3069-3N	JK, RCA PIN	[M]				

■ Resistors & Capacitors

Notes : • Important safety notice:
 Components identified by Δ mark have special characteristics important for safety.
 Furthermore, special parts which have purposes of fire-retardant (resistors), high-quality sound (capacitors), low-noise (resistors), etc. are used.
 When replacing any of components, be sure to use only manufacturer's specified parts shown in the parts list.

- The parenthesized in the Remarks columns specify the areas. (Refer to the cover page for area.)
 Parts without these indication can be used for all areas.
- [M] in Remarks column indicates parts that are supplied by MESA.
- Capacitor values are in microfarad (μF) unless specified otherwise, P=Pico-farads (pF) F=Farads (F)
- Resistors values are in ohms, unless specified otherwise, 1k=1,000(OHM), 1M=1,000k(OHM)

Ref No.	Part No.	Values & Remarks	Ref No.	Part No.	Values & Remarks	Ref No.	Part No.	Values & Remarks	Ref No.	Part No.	Values & Remarks
	RESISTORS		R146	ERDS2TJ821T	820 1/4W [M]	R385	ERDS2TJ104T	100K 1/4W [M]	R456	ERDS2TJ563T	56K 1/4W [M]
			R147	ERDS2TJ474T	470K 1/4W [M]	R386	ERDS2TJ104T	100K 1/4W [M]	R457	ERDS2TJ271T	270 1/4W [M]
R103	ERDS2TJ101T	100 1/4W [M]	R148	ERDS2TJ474T	470K 1/4W [M]	R401	ERDS2TJ102T	1K 1/4W [M]	R458	ERDS2TJ271T	270 1/4W [M]
R104	ERDS2TJ102T	1K 1/4W [M]	R149	ERDS2TJ680T	68 1/4W [M]	R402	ERDS2TJ102T	1K 1/4W [M]	R459	ERDS2TJ680T	68 1/4W [M]
R105	ERDS2TJ471T	470 1/4W [M]	R171	ERDS2TJ102T	1K 1/4W [M]	R405	ERDS2TJ102T	1K 1/4W [M]	R460	ERDS2TJ680T	68 1/4W [M]
R106	ERDS2TJ224T	220K 1/4W [M]	R172	ERDS2TJ102T	1K 1/4W [M]	R406	ERDS2TJ102T	1K 1/4W [M]	R461	ERDS2TJ184T	180K 1/4W [M]
R107	ERDS2TJ471T	470 1/4W [M]	R173	ERDS2TJ471T	470 1/4W [M]	R407	ERDS2TJ102T	1K 1/4W [M]	R462	ERDS2TJ184T	180K 1/4W [M]
R110	ERDS2TJ102T	1K 1/4W [M]	R175	ERDS2TJ102T	1K 1/4W [M]	R408	ERDS2TJ102T	1K 1/4W [M]	R463	ERDS2TJ123T	12K 1/4W [M]
R112	ERDS2TJ104T	100K 1/4W [M]	R176	ERDS2TJ391T	390 1/4W [M]	R409	ERDS2TJ102T	1K 1/4W [M]	R464	ERDS2TJ123T	12K 1/4W [M]
R113	ERDS2TJ103T	10K 1/4W [M]	R181	ERDS2TJ332T	3.3K 1/4W [M]	R410	ERDS2TJ102T	1K 1/4W [M]	R465	ERDS2TJ563T	56K 1/4W [M]
R114	ERDS2TJ562T	5.6K 1/4W [M]	R301	ERDS2TJ750T	75 1/4W [M]	R411	ERDS2TJ102T	1K 1/4W [M]	R466	ERDS2TJ563T	56K 1/4W [M]
R115	ERDS2TJ561T	560 1/4W [M]	R302	ERDS2TJ750T	75 1/4W [M]	R412	ERDS2TJ102T	1K 1/4W [M]	R469	ERDS2TJ102T	1K 1/4W [M]
R116	ERDS2TJ102T	1K 1/4W [M]	R303	ERDS2TJ750T	75 1/4W [M]	R413	ERDS2TJ102T	1K 1/4W [M]	R470	ERDS2TJ102T	1K 1/4W [M]
R117	ERDS2TJ473T	47K 1/4W [M]	R341	ERDS2TJ103T	10K 1/4W [M]	R414	ERDS2TJ102T	1K 1/4W [M]	R473	ERDS2TJ102T	1K 1/4W [M]
R118	ERDS2TJ562T	5.6K 1/4W [M]	R342	ERDS2TJ104T	100K 1/4W [M]	R415	ERDS2TJ102T	1K 1/4W [M]	R474	ERDS2TJ102T	1K 1/4W [M]
R119	ERDS2TJ183T	18K 1/4W [M]	R343	ERDS2TJ104T	100K 1/4W [M]	R416	ERDS2TJ102T	1K 1/4W [M]	R477	ERDS2TJ103T	10K 1/4W [M]
R120	ERDS2TJ473T	47K 1/4W [M]	R344	ERDS2TJ104T	100K 1/4W [M]	R417	ERDS2TJ473T	47K 1/4W [M]	R478	ERDS2TJ104T	100K 1/4W [M]
R121	ERDS2TJ332T	3.3K 1/4W [M]	R345	ERDS2TJ103T	10K 1/4W [M]	R418	ERDS2TJ473T	47K 1/4W [M]	R479	ERDS2TJ393T	39K 1/4W [M]
R122	ERDS2TJ272T	2.7K 1/4W [M]	R346	ERDS2TJ103T	10K 1/4W [M]	R419	ERDS2TJ104T	100K 1/4W [M]	R480	ERDS2TJ393T	39K 1/4W [M]
R124	ERDS2TJ301T	300 1/4W [M]	R347	ERDS2TJ104T	100K 1/4W [M]	R420	ERDS2TJ104T	100K 1/4W [M]	R481	ERDS2TJ393T	39K 1/4W [M]
R125	ERDS2TJ472T	4.7K 1/4W [M]	R348	ERDS2TJ104T	100K 1/4W [M]	R421	ERDS2TJ104T	100K 1/4W [M]	R485	ERDS2TJ104T	100K 1/4W [M]
R126	ERDS2TJ472T	4.7K 1/4W [M]	R349	ERDS2TJ104T	100K 1/4W [M]	R422	ERDS2TJ104T	100K 1/4W [M]	R486	ERDS2TJ102T	1K 1/4W [M]
R127	ERDS2TJ103T	10K 1/4W [M]	R350	ERDS2TJ104T	100K 1/4W [M]	R423	ERDS2TJ102T	1K 1/4W [M]	R491	ERDS2TJ102T	1K 1/4W [M]
R128	ERDS2TJ820T	82 1/4W [M]	R351	ERDS2TJ104T	100K 1/4W [M]	R424	ERDS2TJ102T	1K 1/4W [M]	R492	ERDS2TJ102T	1K 1/4W [M]
R129	ERDS2TJ473T	47K 1/4W [M]	R352	ERDS2TJ104T	100K 1/4W [M]	R425	ERDS2TJ103T	10K 1/4W [M]	R493	ERDS2TJ102T	1K 1/4W [M]
R130	ERDS2TJ102T	1K 1/4W [M]	R359	ERDS2TJ750T	75 1/4W [M]	R426	ERDS2TJ103T	10K 1/4W [M]	R494	ERDS2TJ102T	1K 1/4W [M]
R131	ERDS2TJ102T	1K 1/4W [M]	R362	ERDS2TJ750T	75 1/4W [M]	R427	ERDS2TJ103T	10K 1/4W [M]	R501	ERDS2TJ222T	2.2K 1/4W [M]
R132	ERDS2TJ103T	10K 1/4W [M]	R367	ERDS2TJ102T	1K 1/4W [M]	R428	ERDS2TJ332T	3.3K 1/4W [M]	R502	ERDS2TJ222T	2.2K 1/4W [M]
R133	ERDS2TJ102T	1K 1/4W [M]	R368	ERDS2TJ102T	1K 1/4W [M]	R433	ERDS2TJ102T	1K 1/4W [M]	R503	ERDS2TJ103T	10K 1/4W [M]
R134	ERDS2TJ102T	1K 1/4W [M]	R369	ERDS2TJ182T	1.8K 1/4W [M]	R434	ERDS2TJ102T	1K 1/4W [M]	R504	ERDS2TJ103T	10K 1/4W [M]
R135	ERDS2TJ102T	1K 1/4W [M]	R370	ERDS2TJ182T	1.8K 1/4W [M]	R435	ERDS2TJ473T	47K 1/4W [M]	R505	ERDS2TJ103T	10K 1/4W [M]
R136	ERDS2TJ102T	1K 1/4W [M]	R371	ERD2FCVG220T	22 1/4W [M]	R440	ERDS1FVJ560T Δ	56 1/2W [M]	R506	ERDS2TJ103T	10K 1/4W [M]
R137	ERDS2TJ102T	1K 1/4W [M]	R372	ERD2FCVG220T	22 1/4W [M]	R441	ERDS2TJ473T	47K 1/4W [M]	R508	ERDS1FVJ2R2T Δ	2.2 1/2W [M]
R139	ERDS2TJ272T	2.7K 1/4W [M]	R373	ERDS2TJ103T	10K 1/4W [M]	R442	ERDS2TJ473T	47K 1/4W [M]	R509	ERDS2TJ103T	10K 1/4W [M]
R140	ERDS2TJ272T	2.7K 1/4W [M]	R374	ERDS2TJ103T	10K 1/4W [M]	R443	ERDS1FVJ560T Δ	56 1/2W [M]	R510	ERDS2TJ103T	10K 1/4W [M]
R141	ERDS2TJ102T	1K 1/4W [M]	R375	ERDS2TJ103T	10K 1/4W [M]	R451	ERDS2TJ224T	220K 1/4W [M]	R511	ERDS2TJ471T	470 1/4W [M]
R142	ERDS2TJ102T	1K 1/4W [M]	R381	ERDS2TJ104T	100K 1/4W [M]	R452	ERDS2TJ224T	220K 1/4W [M]	R512	ERDS2TJ471T	470 1/4W [M]
R143	ERDS2TJ222T	2.2K 1/4W [M]	R382	ERDS2TJ104T	100K 1/4W [M]	R453	ERDS2TJ391T	390 1/4W [M]	R513	ERDS2TJ474T	470K 1/4W [M]
R144	ERDS2TJ222T	2.2K 1/4W [M]	R383	ERDS2TJ104T	100K 1/4W [M]	R454	ERDS2TJ391T	390 1/4W [M]	R514	ERDS2TJ474T	470K 1/4W [M]
R145	ERDS2TJ821T	820 1/4W [M]	R384	ERDS2TJ104T	100K 1/4W [M]	R455	ERDS2TJ563T	56K 1/4W [M]	R515	ERDS2TJ474T	470K 1/4W [M]

Ref No.	Part No.	Values & Remarks	Ref No.	Part No.	Values & Remarks	Ref No.	Part No.	Values & Remarks	Ref No.	Part No.	Values & Remarks
R516	ERDS2TJ474T	470K 1/4W [M]	R578	ERDS2TJ332T	3.3K 1/4W [M]	R639	ERDS2TJ273T	27K 1/4W [M]	R712	ERDS2TJ682T	6.8K 1/4W [M]
R517	ERDS2TJ182T	1.8K 1/4W [M]	R579	ERDS2TJ104T	100K 1/4W [M]	R640	ERDS2TJ473T	47K 1/4W [M]	R713	ERDS2TJ390T	39 1/4W [M]
R518	ERDS2TJ182T	1.8K 1/4W [M]	R580	ERDS2TJ104T	100K 1/4W [M]	R641	ERDS2TJ221T	220 1/4W [M]	R714	ERDS2TJ380T	39 1/4W [M]
R519	ERDS2TJ332T	3.3K 1/4W [M]	R581	ERDS2TJ102T	1K 1/4W [M]	R642	ERDS2TJ221T	220 1/4W [M]	R721	ERD25FVJ181T	180 1/4W [M]
R520	ERDS2TJ332T	3.3K 1/4W [M]	R582	ERDS2TJ102T	1K 1/4W [M]	R643	ERDS2TJ221T	220 1/4W [M]	R722	ERDS2TJ682T	6.8K 1/4W [M]
R521	ERDS2TJ223T	22K 1/4W [M]	R584	ERDS2TJ102T	1K 1/4W [M]	R644	ERDS2TJ221T	220 1/4W [M]	R723	ERDS1FVJ3R9T Δ	3.9 1/2W [M]
R522	ERDS2TJ223T	22K 1/4W [M]	R586	ERDS2TJ222T	2.2K 1/4W [M]	R645	ERG1SJ101E Δ	100 1W [M]	R724	ERDS1FVJ3R9T Δ	3.9 1/2W [M]
R523	ERDS2TJ392T	3.9K 1/4W [M]	R580	ERDS2TJ222T	2.2K 1/4W [M]	R646	ERG1SJ101E Δ	100 1W [M]	R725	ERDS2TJ821T	820 1/4W [M]
R524	ERDS2TJ392T	3.9K 1/4W [M]	R583	ERDS2TJ332T	3.3K 1/4W [M]	R647	ERG1SJ101E Δ	100 1W [M]	R726	ERD25FVJ680T	68 1/4W [M]
R525	ERDS2TJ222T	2.2K 1/4W [M]	R594	ERDS2TJ684T	680K 1/4W [M]	R648	ERG1SJ101E Δ	100 1W [M]	R727	ERD25FVJ680T	68 1/4W [M]
R526	ERDS2TJ222T	2.2K 1/4W [M]	R601	ERDS2TJ183T	18K 1/4W [M]	R649	ERD25FVJ181T	180 1/4W [M]	R730	ERDS1FVJ8R2T Δ	8.2 1/2W [M]
R527	ERDS2TJ821T	820 1/4W [M]	R602	ERDS2TJ102T	1K 1/4W [M]	R650	ERD25FVJ181T	180 1/4W [M]	R731	ERD25FVJ100T	10 1/4W [M]
R528	ERDS2TJ821T	820 1/4W [M]	R603	ERDS2TJ183T	18K 1/4W [M]	R653	ERDS2TJ682T	6.8K 1/4W [M]	R732	ERDS2TJ153T	15K 1/4W [M]
R529	ERDS2TJ273T	27K 1/4W [M]	R604	ERDS2TJ102T	1K 1/4W [M]	R654	ERDS2TJ682T	6.8K 1/4W [M]	R733	ERDS2TJ123T	12K 1/4W [M]
R530	ERDS2TJ273T	27K 1/4W [M]	R605	ERDS2TJ223T	22K 1/4W [M]	R663	ERDS2TJ102T	1K 1/4W [M]	R734	ERDS2TJ472T	4.7K 1/4W [M]
R531	ERDS2TJ332T	3.3K 1/4W [M]	R606	ERDS2TJ223T	22K 1/4W [M]	R665	ERDS2TJ472T	4.7K 1/4W [M]	R735	ERDS2TJ103T	10K 1/4W [M]
R532	ERDS2TJ332T	3.3K 1/4W [M]	R607	ERDS2TJ223T	22K 1/4W [M]	R666	ERDS2TJ472T	4.7K 1/4W [M]	R736	ERDS2TJ272T	2.7K 1/4W [M]
R533	ERDS2TJ473T	47K 1/4W [M]	R608	ERDS2TJ223T	22K 1/4W [M]	R669	ERD25FVJ4R7T	4.7 1/4W [M]	R739	ERD25FVJ180T	18 1/4W [M]
R534	ERDS2TJ473T	47K 1/4W [M]	R609	ERDS2TJ222T	2.2K 1/4W [M]	R671	ERDS2TJ104T	100K 1/4W [M]	R740	ERDS2TJ393T	39K 1/4W [M]
R543	ERDS2TJ102T	1K 1/4W [M]	R610	ERDS2TJ222T	2.2K 1/4W [M]	R672	ERDS2TJ223T	22K 1/4W [M]	R742	ERDS2TJ393T	39K 1/4W [M]
R544	ERDS2TJ102T	1K 1/4W [M]	R611	ERDS2TJ222T	2.2K 1/4W [M]	R673	ERDS2TJ223T	22K 1/4W [M]	R743	ERDS2TJ183T	18K 1/4W [M]
R545	ERDS2TJ684T	680K 1/4W [M]	R612	ERDS2TJ222T	2.2K 1/4W [M]	R681	ERDS2TJ102T	1K 1/4W [M]	R752	ERDS2TJ222T	2.2K 1/4W [M]
R546	ERDS2TJ223T	22K 1/4W [M]	R613	ERDS2TJ222T	2.2K 1/4W [M]	R682	ERDS2TJ102T	1K 1/4W [M]	R766	ERDS2TJ473T	47K 1/4W [M]
R551	ERDS2TJ102T	1K 1/4W [M]	R614	ERDS2TJ222T	2.2K 1/4W [M]	R683	ERDS2TJ563T	56K 1/4W [M]	R767	ERDS2TJ154T	150K 1/4W [M]
R552	ERDS2TJ102T	1K 1/4W [M]	R615	ERDS2TJ222T	2.2K 1/4W [M]	R684	ERDS2TJ563T	56K 1/4W [M]	R768	ERDS2TJ102T	1K 1/4W [M]
R553	ERDS2TJ104T	100K 1/4W [M]	R616	ERDS2TJ222T	2.2K 1/4W [M]	R685	ERDS2TJ563T	56K 1/4W [M]	R769	ERDS2TJ103T	10K 1/4W [M]
R554	ERDS2TJ104T	100K 1/4W [M]	R617	ERDS2TJ563T	56K 1/4W [M]	R686	ERDS2TJ563T	56K 1/4W [M]	R770	ERDS2TJ104T	100K 1/4W [M]
R555	ERDS2TJ223T	22K 1/4W [M]	R618	ERDS2TJ563T	56K 1/4W [M]	R687	ERDS2TJ222T	2.2K 1/4W [M]	R771	ERDS2TJ104T	100K 1/4W [M]
R556	ERDS2TJ223T	22K 1/4W [M]	R619	ERDS2TJ563T	56K 1/4W [M]	R688	ERDS2TJ222T	2.2K 1/4W [M]	R773	ERDS2TJ103T	10K 1/4W [M]
R557	ERDS2TJ821T	820 1/4W [M]	R620	ERDS2TJ563T	56K 1/4W [M]	R689	ERDS2TJ334T	330K 1/4W [M]	R774	ERDS2TJ155T	1.5M 1/4W [M]
R558	ERDS2TJ821T	820 1/4W [M]	R621	ERDS2TJ470T	47 1/4W [M]	R690	ERDS2TJ334T	330K 1/4W [M]	R775	ERDS2TJ331T	330 1/4W [M]
R561	ERDS2TJ102T	1K 1/4W [M]	R622	ERDS2TJ470T	47 1/4W [M]	R691	ERDS2TJ334T	330K 1/4W [M]	R776	ERDS1FVJ150T Δ	15 1/2W [M]
R562	ERDS2TJ102T	1K 1/4W [M]	R623	ERDS2TJ470T	47 1/4W [M]	R692	ERDS2TJ334T	330K 1/4W [M]	R777	ERDS2TJ154T	150K 1/4W [M]
R563	ERDS2TJ104T	100K 1/4W [M]	R624	ERDS2TJ470T	47 1/4W [M]	R693	ERDS2TJ470T	47 1/4W [M]	R778	ERDS2TJ472T	4.7K 1/4W [M]
R564	ERDS2TJ104T	100K 1/4W [M]	R625	ERDS1FVJ100T Δ	10 1/2W [M]	R694	ERDS2TJ470T	47 1/4W [M]	R779	ERDS2TJ103T	10K 1/4W [M]
R565	ERDS2TJ223T	22K 1/4W [M]	R626	ERDS1FVJ100T Δ	10 1/2W [M]	R695	ERDS1FVJ100T Δ	10 1/2W [M]	R780	ERDS1FVJ3R9T Δ	3.9 1/2W [M]
R566	ERDS2TJ103T	10K 1/4W [M]	R627	ERDS1FVJ100T Δ	10 1/2W [M]	R696	ERDS1FVJ100T Δ	10 1/2W [M]	R782	ERDS2TJ380T	39 1/4W [M]
R567	ERDS2TJ821T	820 1/4W [M]	R628	ERDS1FVJ100T Δ	10 1/2W [M]	R697	ERDS2TJ224T	220K 1/4W [M]	R784	ERDS2TJ154T	150K 1/4W [M]
R568	ERDS2TJ681T	680 1/4W [M]	R629	ERDS2TJ104T	100K 1/4W [M]	R698	ERD2FCVG470T	47 1/4W [M]	R786	ERDS2TJ154T	150K 1/4W [M]
R569	ERDS2TJ332T	3.3K 1/4W [M]	R630	ERDS2TJ124T	120K 1/4W [M]	R703	ERDS1FVJ3R9T Δ	3.9 1/2W [M]	R787	ERDS2TJ123T	12K 1/4W [M]
R570	ERDS2TJ332T	3.3K 1/4W [M]	R631	ERDS2TJ154T	150K 1/4W [M]	R704	ERDS1FVJ3R9T Δ	3.9 1/2W [M]	R788	ERDS2TJ123T	12K 1/4W [M]
R571	ERDS2TJ332T	3.3K 1/4W [M]	R632	ERDS2TJ184T	180K 1/4W [M]	R705	ERDS2TJ472T	4.7K 1/4W [M]	R789	ERDS2TJ223T	22K 1/4W [M]
R572	ERDS2TJ332T	3.3K 1/4W [M]	R633	ERDS2TJ473T	47K 1/4W [M]	R706	ERDS2TJ102T	1K 1/4W [M]	R790	ERDS2TJ223T	22K 1/4W [M]
R573	ERDS2TJ104T	100K 1/4W [M]	R634	ERDS2TJ474T	470K 1/4W [M]	R707	ERD25FVJ221T	220 1/4W [M]	R793	ERDS2TJ682T	6.8K 1/4W [M]
R574	ERDS2TJ104T	100K 1/4W [M]	R635	ERDS2TJ103T	10K 1/4W [M]	R708	ERDS2TJ152T	1.5K 1/4W [M]	R794	ERDS2TJ223T	22K 1/4W [M]
R575	ERDS2TJ102T	1K 1/4W [M]	R636	ERDS2TJ224T	220K 1/4W [M]	R709	ERDS2TJ1R5T	1.5 1/4W [M]	R891	ERDS2TJ103T	10K 1/4W [M]
R576	ERDS2TJ102T	1K 1/4W [M]	R637	ERDS2TJ473T	47K 1/4W [M]	R710	ERDS2TJ1R5T	1.5 1/4W [M]	R892	ERDS2TJ103T	10K 1/4W [M]
R577	ERDS2TJ332T	3.3K 1/4W [M]	R638	ERDS2TJ563T	56K 1/4W [M]	R711	ERDS2TJ752T	7.5K 1/4W [M]	R893	ERDS2TJ103T	10K 1/4W [M]

Ref No.	Part No.	Values & Remarks	Ref No.	Part No.	Values & Remarks	Ref No.	Part No.	Values & Remarks	Ref No.	Part No.	Values & Remarks
R894	ERDS2TJ103T	10K 1/4W [M]	R971	ERDS2TJ122T	1.2K 1/4W [M]	R1158	ERDS2TJ104T	100K 1/4W [M]	C128	ECBT1C103NS5	0.01 16V [M]
R900	ERDS2TJ472T	4.7K 1/4W [M]	R972	ERDS2TJ152T	1.5K 1/4W [M]	R1160	ERDS2TJ104T	100K 1/4W [M]	C129	ECEA0JKA101B	100 6.3V [M]
R901	ERDS2TJ102T	1K 1/4W [M]	R973	ERDS2TJ182T	1.8K 1/4W [M]	R1681	ERDS2TJ270T	27 1/4W [M]	C130	ECEA0JKA101B	100 6.3V [M]
R903	ERDS2TJ104T	100K 1/4W [M]	R974	ERDS2TJ222T	2.2K 1/4W [M]	R1682	ERDS2TJ270T	27 1/4W [M]	C131	ECBT1C103NS5	0.01 16V [M]
R905	ERDS2TJ181T	180 1/4W [M]	R977	ERDS2TJ102T	1K 1/4W [M]	R1683	ERDS2TJ270T	27 1/4W [M]	C132	ECBT1H102KB5	1000P 50V [M]
R906	ERDS2TJ222T	2.2K 1/4W [M]	R978	ERDS2TJ102T	1K 1/4W [M]	R1684	ERDS2TJ270T	27 1/4W [M]	C133	ECBT1H150JC5	15P 50V [M]
R907	ERDS2TJ104T	100K 1/4W [M]	R980	ERDS2TJ102T	1K 1/4W [M]	R1685	ERDS2TJ270T	27 1/4W [M]	C134	ECBT1H180JC5	18P 50V [M]
R908	ERDS2TJ104T	100K 1/4W [M]	R981	ERDS2TJ122T	1.2K 1/4W [M]	R1686	ERDS2TJ270T	27 1/4W [M]	C135	ECBT1C103MS5	0.01 16V [M]
R909	ERDS2TJ473T	47K 1/4W [M]	R982	ERDS2TJ152T	1.5K 1/4W [M]	R1687	ERDS2TJ270T	27 1/4W [M]	C136	ECBT1C103MS5	0.01 16V [M]
R910	ERDS2TJ102T	1K 1/4W [M]	R983	ERDS2TJ182T	1.8K 1/4W [M]	R1688	ERDS2TJ270T	27 1/4W [M]	C137	ECBT1H561KB5	560P 50V [M]
R911	ERDS2TJ104T	100K 1/4W [M]	R984	ERDS2TJ222T	2.2K 1/4W [M]	R1689	ERDS2TJ270T	27 1/4W [M]	C138	ECBT1H561KB5	560P 50V [M]
R912	ERDS2TJ102T	1K 1/4W [M]	R985	ERDS2TJ332T	3.3K 1/4W [M]	R1690	ERDS2TJ270T	27 1/4W [M]	C139	ECQB1H682JM3	6800P 50V [M]
R913	ERDS2TJ103T	10K 1/4W [M]	R986	ERDS2TJ472T	4.7K 1/4W [M]	R1691	ERDS2TJ270T	27 1/4W [M]	C140	ECQB1H682JM3	6800P 50V [M]
R917	ERDS2TJ103T	10K 1/4W [M]	R991	ERDS2TJ104T	100K 1/4W [M]	R1692	ERDS2TJ270T	27 1/4W [M]	C141	ECEA1HKA010B	1 50V [M]
R918	ERDS2TJ102T	1K 1/4W [M]	R992	ERDS2TJ104T	100K 1/4W [M]	R1693	ERDS2TJ270T	27 1/4W [M]	C142	ECEA1HKA010B	1 50V [M]
R919	ERDS2TJ102T	1K 1/4W [M]	R993	ERDS2TJ104T	100K 1/4W [M]	R1694	ERDS2TJ270T	27 1/4W [M]	C143	ECEA1HKA010B	1 50V [M]
R920	ERDS2TJ271T	270 1/4W [M]	R994	ERDS2TJ104T	100K 1/4W [M]	R1695	ERDS2TJ102T	1K 1/4W [M]	C144	ECEA1HKA010B	1 50V [M]
R921	ERDS2TJ121T	120 1/4W [M]	R995	ERDS2TJ104T	100K 1/4W [M]	R1696	ERDS2TJ102T	1K 1/4W [M]	C145	ECBT1H220JC5	22P 50V [M]
R922	ERDS2TJ472T	4.7K 1/4W [M]	R996	ERDS2TJ104T	100K 1/4W [M]	R1699	ERDS2TJ332T	3.3K 1/4W [M]	C146	ECBT1H331KB5	330P 50V [M]
R924	ERDS2TJ103T	10K 1/4W [M]	R997	ERDS2TJ101T	100 1/4W [M]				C147	ECBT1H102KB5	1000P 50V [M]
R927	ERDS2TJ181T	180 1/4W [M]	R998	ERDS2TJ101T	100 1/4W [M]		CAPACITORS		C148	ECBT1C103NS5	0.01 16V [M]
R929	ERDS2TJ101T	100 1/4W [M]	R1001	ERDS2TJ102T	1K 1/4W [M]				C149	ECBT1C103NS5	0.01 16V [M]
R930	ERDS2TJ101T	100 1/4W [M]	R1002	ERDS2TJ102T	1K 1/4W [M]	C101	ECBT1C103NS5	0.01 16V [M]	C150	ECBT1H104ZF5	0.1 50V [M]
R931	ERDS2TJ271T	270 1/4W [M]	R1003	ERDS2TJ102T	1K 1/4W [M]	C103	ECBT1C103NS5	0.01 16V [M]	C172	ECBT1H331KB5	330P 50V [M]
R932	ERDS2TJ271T	270 1/4W [M]	R1004	ERDS2TJ102T	1K 1/4W [M]	C104	ECBT1H102KB5	1000P 50V [M]	C173	ECEA1CKA220B	22 16V [M]
R933	ERDS2TJ271T	270 1/4W [M]	R1005	ERDS2TJ203T	20K 1/4W [M]	C105	ECBT1H470J5	47P 50V [M]	C174	ECEA1CKA101B	100 16V [M]
R934	ERDS2TJ271T	270 1/4W [M]	R1007	ERDS2TJ473T	47K 1/4W [M]	C106	ECBT1C103NS5	0.01 16V [M]	C175	ECBT1C103NS5	0.01 16V [M]
R935	ERDS2TJ271T	270 1/4W [M]	R1008	ERDS2TJ473T	47K 1/4W [M]	C107	ECBT1H473ZF5	0.047 50V [M]	C176	ECBT1C103NS5	0.01 16V [M]
R936	ERDS2TJ271T	270 1/4W [M]	R1009	ERDS2TJ332T	3.3K 1/4W [M]	C108	ECBT1H8R2KC5	8.2P 50V [M]	C181	ECBT1H471KB5	470P 50V [M]
R937	ERDS2TJ271T	270 1/4W [M]	R1010	ERDS2TJ332T	3.3K 1/4W [M]	C109	ECBT1C103NS5	0.01 16V [M]	C196	ECBT1H102KB5	1000P 50V [M]
R938	ERDS2TJ271T	270 1/4W [M]	R1011	ERDS2TJ332T	3.3K 1/4W [M]	C110	ECBT1C103NS5	0.01 16V [M]	C308	ECEA0JKA101B	100 6.3V [M]
R939	ERDS2TJ271T	270 1/4W [M]	R1012	ERDS2TJ102T	1K 1/4W [M]	C111	ECEA1EKA4R7B	4.7 25V [M]	C309	ECEA0JKA101B	100 6.3V [M]
R940	ERDS2TJ271T	270 1/4W [M]	R1013	ERDS2TJ103T	10K 1/4W [M]	C112	ECBT1C103NS5	0.01 16V [M]	C311	ECEA1VKA4R7B	4.7 35V [M]
R942	ERDS2TJ181T	180 1/4W [M]	R1014	ERDS2TJ104T	100K 1/4W [M]	C113	ECBT1H102KB5	1000P 50V [M]	C312	ECEA1VKA4R7B	4.7 35V [M]
R943	ERDS2TJ102T	1K 1/4W [M]	R1015	ERD2FCVJ4R7T	4.7 1/4W [M]	C114	ECEA1HKA3R3B	3.3 50V [M]	C329	ECBT1H470J5	47P 50V [M]
R944	ERDS2TJ104T	100K 1/4W [M]	R1051	ERDS2TJ393T	39K 1/4W [M]	C115	ECEA1EKA4R7B	4.7 25V [M]	C330	ECBT1H470J5	47P 50V [M]
R945	ERDS2TJ104T	100K 1/4W [M]	R1052	ERDS2TJ105T	1M 1/4W [M]	C116	ECBT1C822MS5	8200P 16V [M]	C351	ECEA0JKA101B	100 6.3V [M]
R946	ERDS2TJ103T	10K 1/4W [M]	R1053	ERDS2TJ102T	1K 1/4W [M]	C117	ECQB1H471JM3	470P 50V [M]	C352	ECEA0JKA101B	100 6.3V [M]
R948	ERDS2TJ103T	10K 1/4W [M]	R1055	ERDS2TJ224T	220K 1/4W [M]	C118	ECQB1H103JM3	0.01 50V [M]	C354	ECBT1H104ZF5	0.1 50V [M]
R949	ERDS2TJ103T	10K 1/4W [M]	R1056	ERDS2TJ153T	15K 1/4W [M]	C119	ECQB1H103JM3	0.01 50V [M]	C355	ECBT1H104ZF5	0.1 50V [M]
R950	ERDS2TJ102T	1K 1/4W [M]	R1061	ERDS2TJ222T	2.2K 1/4W [M]	C120	ECEA1HKA010B	1 50V [M]	C357	ECBT1E103ZF5	0.01 25V [M]
R951	ERDS2TJ122T	1.2K 1/4W [M]	R1062	ERDS2TJ273T	27K 1/4W [M]	C121	ECEA1HKA010B	1 50V [M]	C358	ECBT1E103ZF5	0.01 25V [M]
R952	ERDS2TJ152T	1.5K 1/4W [M]	R1063	ERDS2TJ332T	3.3K 1/4W [M]	C122	ECEA1HKA2R2B	2.2 50V [M]	C373	ECEA1CKA470B	47 16V [M]
R953	ERDS2TJ182T	1.8K 1/4W [M]	R1151	ERDS2TJ473T	47K 1/4W [M]	C123	ECEA1HKA010B	1 50V [M]	C374	ECEA1CKA470B	47 16V [M]
R954	ERDS2TJ222T	2.2K 1/4W [M]	R1152	ERDS2TJ473T	47K 1/4W [M]	C124	ECBT1H102KB5	1000P 50V [M]	C375	ECEA1CKA470B	47 16V [M]
R955	ERDS2TJ332T	3.3K 1/4W [M]	R1154	ERDS2TJ333T	33K 1/4W [M]	C125	ECBT1H150JC5	15P 50V [M]	C381	ECEA1HKA3R3B	3.3 50V [M]
R956	ERDS2TJ472T	4.7K 1/4W [M]	R1155	ERDS2TJ393T	39K 1/4W [M]	C126	ECBT1H104ZF5	0.1 50V [M]	C382	ECEA1HKA3R3B	3.3 50V [M]
R970	ERDS2TJ102T	1K 1/4W [M]	R1156	ERDS2TJ393T	39K 1/4W [M]	C127	ECEA1CKA220B	22 16V [M]	C383	ECEA1HKA3R3B	3.3 50V [M]

Ref No.	Part No.	Values & Remarks	Ref No.	Part No.	Values & Remarks	Ref No.	Part No.	Values & Remarks	Ref No.	Part No.	Values & Remarks
C384	ECEA1HKA3R3B	3.3 50V [M]	C458	ECEA1AKA330B	33 10V [M]	C533	ECEA1CKA100B	10 16V [M]	C620	ECQV1H104JZ3	0.1 50V [M]
C385	ECEA1HKA3R3B	3.3 50V [M]	C459	ECFR1E223KR	0.022 25V [M]	C534	ECEA1CKA100B	10 16V [M]	C621	ECEA2AU100B	10 100V [M]
C386	ECEA1HKA3R3B	3.3 50V [M]	C460	ECFR1E223KR	0.022 25V [M]	C536	ECBT1H104ZF5	0.1 50V [M]	C622	ECEA1HN010SB	1 50V [M]
C387	ECEA1HKA3R3B	3.3 50V [M]	C461	ECFR1E682KR	6800P 25V [M]	C551	ECEA1HKA3R3B	3.3 50V [M]	C623	ECA1HM470B	47 50V [M]
C388	ECEA1HKA3R3B	3.3 50V [M]	C462	ECFR1E682KR	6800P 25V [M]	C552	ECEA1HKA3R3B	3.3 50V [M]	C624	ECEA2AN2R2SB	2.2 100V [M]
C391	ECEA1HKA3R3B	3.3 50V [M]	C463	ECEA1VKA4R7B	4.7 35V [M]	C553	ECBT1H101KB5	100P 50V [M]	C625	ECEA1HN100SB	10 50V [M]
C392	ECEA1HKA3R3B	3.3 50V [M]	C464	ECEA1VKA4R7B	4.7 35V [M]	C554	ECBT1H101KB5	100P 50V [M]	C626	ECEA1HN100SB	10 50V [M]
C393	ECEA1HKA3R3B	3.3 50V [M]	C465	ECBT1E103ZF5	0.01 25V [M]	C555	ECBT1H221KB5	220P 50V [M]	C627	ECKR1H102KB5	1000P 50V [M]
C394	ECEA1HKA3R3B	3.3 50V [M]	C466	ECBT1E103ZF5	0.01 25V [M]	C556	ECBT1H221KB5	220P 50V [M]	C628	ECKR1H102KB5	1000P 50V [M]
C401	ECEA1VKA4R7B	4.7 35V [M]	C469	ECBT1H181KB5	180P 50V [M]	C557	ECBT1E103ZF5	0.01 25V [M]	C630	ECKR1H223ZF5	0.022 50V [M]
C402	ECEA1VKA4R7B	4.7 35V [M]	C470	ECBT1H181KB5	180P 50V [M]	C558	ECBT1E103ZF5	0.01 25V [M]	C631	ECKR1H102KB5	1000P 50V [M]
C403	ECBT1E103ZF5	0.01 25V [M]	C471	ECEA1VKA4R7B	4.7 35V [M]	C559	ECEA1CKA100B	10 16V [M]	C632	ECKR1H102KB5	1000P 50V [M]
C404	ECBT1E103ZF5	0.01 25V [M]	C472	ECEA1VKA4R7B	4.7 35V [M]	C560	ECEA1CKA100B	10 16V [M]	C633	ECKR1H223ZF5	0.022 50V [M]
C405	ECBT1H101KB5	100P 50V [M]	C473	ECBT1E103ZF5	0.01 25V [M]	C561	ECEA1HKA3R3B	3.3 50V [M]	C634	ECKR1H223ZF5	0.022 50V [M]
C406	ECBT1H101KB5	100P 50V [M]	C474	ECBT1E103ZF5	0.01 25V [M]	C562	ECEA1HKA3R3B	3.3 50V [M]	C635	ECKR1H223ZF5	0.022 50V [M]
C409	ECEA1EKA220B	22 25V [M]	C475	ECBT1H101KB5	100P 50V [M]	C563	ECBT1H101KB5	100P 50V [M]	C636	ECKR1H223ZF5	0.022 50V [M]
C410	ECEA1EKA220B	22 25V [M]	C482	ECEA1HKA3R3B	3.3 50V [M]	C564	ECBT1H101KB5	100P 50V [M]	C637	ECBT1H102KB5	1000P 50V [M]
C411	ECBT1H101KB5	100P 50V [M]	C483	ECBT1H331KB5	330P 50V [M]	C565	ECBT1H221KB5	220P 50V [M]	C638	ECBT1H102KB5	1000P 50V [M]
C412	ECBT1H101KB5	100P 50V [M]	C491	ECBT1H101KB5	100P 50V [M]	C566	ECBT1H221KB5	220P 50V [M]	C641	ECQV1H104JZ3	0.1 50V [M]
C413	ECEA1CKA100B	10 16V [M]	C492	ECBT1H101KB5	100P 50V [M]	C567	ECBT1E103ZF5	0.01 25V [M]	C642	ECQV1H104JZ3	0.1 50V [M]
C414	ECEA1CKA100B	10 16V [M]	C493	ECBT1H101KB5	100P 50V [M]	C568	ECBT1E103ZF5	0.01 25V [M]	C643	ECQV1H104JZ3	0.1 50V [M]
C415	ECBT1E103ZF5	0.01 25V [M]	C494	ECBT1H101KB5	100P 50V [M]	C571	ECEA1HKA3R3B	3.3 50V [M]	C644	ECQV1H104JZ3	0.1 50V [M]
C416	ECBT1E103ZF5	0.01 25V [M]	C503	ECEA0JKA101B	100 6.3V [M]	C572	ECEA1HKA3R3B	3.3 50V [M]	C645	ECBT1H181KB5	180P 50V [M]
C417	ECBT1H101KB5	100P 50V [M]	C504	ECEA0JKA101B	100 6.3V [M]	C573	ECBT1H104ZF5	0.1 50V [M]	C646	ECBT1H821KB5	820P 50V [M]
C418	ECBT1H101KB5	100P 50V [M]	C505	ECFR1C104MR	0.1 16V [M]	C574	ECEA1CKA330B	33 16V [M]	C647	ECBT1H181KB5	180P 50V [M]
C419	ECBT1H331KB5	330P 50V [M]	C506	ECFR1C104MR	0.1 16V [M]	C575	ECBT1H104ZF5	0.1 50V [M]	C648	ECBT1H821KB5	820P 50V [M]
C420	ECBT1H331KB5	330P 50V [M]	C511	ECEA1HKA3R3B	3.3 50V [M]	C591	ECEA1HKN3R3B	3.3 50V [M]	C649	ECBT1H102KB5	1000P 50V [M]
C421	ECBT1H331KB5	330P 50V [M]	C512	ECEA1HKA3R3B	3.3 50V [M]	C592	ECEA1HKN3R3B	3.3 50V [M]	C651	ECEA1HKN010B	1 50V [M]
C422	ECBT1H331KB5	330P 50V [M]	C513	ECBT1H150J5	15P 50V [M]	C593	ECBT1H104ZF5	0.1 50V [M]	C652	ECEA1HKN010B	1 50V [M]
C423	ECBT1H101KB5	100P 50V [M]	C514	ECBT1H150J5	15P 50V [M]	C601	ECEA1CKA100B	10 16V [M]	C671	ECEA1VKA4R7B	4.7 35V [M]
C424	ECBT1H101KB5	100P 50V [M]	C515	ECBT1H221KB5	220P 50V [M]	C602	ECEA1CKA100B	10 16V [M]	C681	ECBT1H102KB5	1000P 50V [M]
C425	ECBT1H101KB5	100P 50V [M]	C516	ECBT1H221KB5	220P 50V [M]	C603	ECEA1VKA4R7B	4.7 35V [M]	C682	ECBT1H102KB5	1000P 50V [M]
C426	ECBT1H101KB5	100P 50V [M]	C517	ECBT1H330J5	33P 50V [M]	C604	ECEA1VKA4R7B	4.7 35V [M]	C683	ECBT1C222MR5	2200P 16V [M]
C427	ECBT1H221KB5	220P 50V [M]	C518	ECBT1H330J5	33P 50V [M]	C605	ECA1JM330B	33 6.3V [M]	C684	ECBT1C222MR5	2200P 16V [M]
C428	ECBT1H221KB5	220P 50V [M]	C519	ECEA1VKA4R7B	4.7 35V [M]	C606	ECA1JM330B	33 6.3V [M]	C685	ECBT1H150J5	15P 50V [M]
C431	ECEA1CKA100B	10 16V [M]	C520	ECEA1VKA4R7B	4.7 35V [M]	C607	ECA1JM330B	33 6.3V [M]	C686	ECBT1H150J5	15P 50V [M]
C432	ECEA1CKA100B	10 16V [M]	C521	ECEA1VKA4R7B	4.7 35V [M]	C608	ECA1JM330B	33 6.3V [M]	C687	ECA1HM470B	47 50V [M]
C433	ECBT1H331KB5	330P 50V [M]	C522	ECEA1VKA4R7B	4.7 35V [M]	C609	ECCR1H120KC5	12P 50V [M]	C688	ECA1HM470B	47 50V [M]
C434	ECBT1H331KB5	330P 50V [M]	C523	ECFR1E123KR	0.012 25V [M]	C610	ECCR1H120KC5	12P 50V [M]	C689	ECEA1HN2R2SB	2.2 50V [M]
C440	ECBT1E103ZF5	0.01 25V [M]	C524	ECFR1E123KR	0.012 25V [M]	C611	ECCR1H120KC5	12P 50V [M]	C690	ECA1JM330B	33 6.3V [M]
C441	ECEA1HKN3R3B	3.3 50V [M]	C525	ECQV1H683JM3	0.068 50V [M]	C612	ECCR1H120KC5	12P 50V [M]	C691	ECBT1H102KB5	1000P 50V [M]
C451	ECEA1VKA4R7B	4.7 35V [M]	C526	ECQV1H683JM3	0.068 50V [M]	C613	ECBT1H102KB5	1000P 50V [M]	C695	ECQV1H104JZ3	0.1 50V [M]
C452	ECEA1VKA4R7B	4.7 35V [M]	C527	ECBT1C562KR5	5600P 16V [M]	C614	ECBT1H102KB5	1000P 50V [M]	C696	ECQV1H104JZ3	0.1 50V [M]
C453	ECBT1H100J5	10P 50V [M]	C528	ECBT1C562KR5	5600P 16V [M]	C615	ECBT1H102KB5	1000P 50V [M]	C697	ECQV1H104JZ3	0.1 50V [M]
C454	ECBT1H100J5	10P 50V [M]	C529	ECQB1H273JM3	0.027 50V [M]	C616	ECBT1H102KB5	1000P 50V [M]	C698	ECQV1H104JZ3	0.1 50V [M]
C455	ECBT1H102KB5	1000P 50V [M]	C530	ECQB1H273JM3	0.027 50V [M]	C617	ECQV1H104JZ3	0.1 50V [M]	C701	ECBT1E103ZF5	0.01 25V [M]
C456	ECBT1H102KB5	1000P 50V [M]	C531	ECBT1E103ZF5	0.01 25V [M]	C618	ECQV1H104JZ3	0.1 50V [M]	C702	ECQE2104KF3	0.1 250V [M]
C457	ECEA1AKA330B	33 10V [M]	C532	ECBT1E103ZF5	0.01 25V [M]	C619	ECQV1H104JZ3	0.1 50V [M]	C703	ECES71P472CB	4700 71V [M]

Ref No.	Part No.	Values & Remarks	Ref No.	Part No.	Values & Remarks	Ref No.	Part No.	Values & Remarks	Ref No.	Part No.	Values & Remarks
C704	ECES71P472CB	4700 71V [M]	C914	ECEA1VKA100B	10 35V [M]	C1016	ECQV1H104JM3	0.1 50V [M]	C1159	ECEA1HKA010B	1 50V [M]
C705	EC0S1VP562BB	5600P 35V [M]	C916	ECEA1HKA010B	1 50V [M]	C1017	ECEA1HKAR47B	0.47 50V [M]	C1161	ECBT1H101KB5	100P 50V [M]
C706	EC0S1VP562BB	5600P 35V [M]	C917	ECA0JM101B	100 6.3V [M]	C1018	ECEA1HKA4R7B	4.7 50V [M]	C1683	ECBT1C332KR5	3300P 16V [M]
C707	ECA1VM101B	100 35V [M]	C918	ECA0JM101B	100 6.3V [M]	C1019	ECEA1HKAR47B	0.47 50V [M]	C1684	ECBT1C332KR5	3300P 16V [M]
C708	ECKR1H103ZF5	0.01 50V [M]	C920	ECEA1HKA010B	1 50V [M]	C1020	ECEA1HKA4R7B	4.7 50V [M]	C1685	ECBT1E103ZF5	0.01 25V [M]
C709	ECEA1CKA330B	33 16V [M]	C921	ECBT1H331KB5	330P 50V [M]	C1021	ECEA1HKAR15B	0.15 50V [M]			
C710	ECBT1E103ZF5	0.01 25V [M]	C922	ECBT1H331KB5	330P 50V [M]	C1022	ECEA1HKA3R3B	3.3 50V [M]			
C711	ECKR1H103ZF5	0.01 50V [M]	C923	ECBT1H331KB5	330P 50V [M]	C1023	ECQV1H154JM3	0.15 50V [M]			
C712	ECEA1HKA100B	10 50V [M]	C924	ECBT1H331KB5	330P 50V [M]	C1024	ECQV1H154JM3	0.15 50V [M]			
C713	ECKR1H103ZF5	0.01 50V [M]	C925	ECBT1H331KB5	330P 50V [M]	C1025	ECEA1HKA3R3B	3.3 50V [M]			
C714	ECEA1EKA470B	47 25V [M]	C926	ECBT1H331KB5	330P 50V [M]	C1026	ECEA1HKAR15B	0.15 50V [M]			
C715	ECEA1CKA101B	100 16V [M]	C927	ECBT1H331KB5	330P 50V [M]	C1027	ECEA1HKA4R7B	4.7 50V [M]			
C721	ECQE2104KF3	0.1 250V [M]	C928	ECBT1H331KB5	330P 50V [M]	C1028	ECEA1HKAR47B	0.47 50V [M]			
C722	ECQE2104KF3	0.1 250V [M]	C929	ECBT1H331KB5	330P 50V [M]	C1029	ECEA1HKA4R7B	4.7 50V [M]			
C731	ECKR1H103ZF5	0.01 50V [M]	C930	ECBT1H331KB5	330P 50V [M]	C1030	ECEA1HKAR47B	0.47 50V [M]			
C732	ECKR1H103ZF5	0.01 50V [M]	C932	ECBT1H101KB5	100P 50V [M]	C1031	ECQV1H104JM3	0.1 50V [M]			
C751	ECKWRS102MBC	1000P 400V [M]	C933	ECBT1H101KB5	100P 50V [M]	C1032	ECQV1H104JM3	0.1 50V [M]			
C752	ECKR1H103ZF5	0.01 50V [M]	C935	ECBT1H331KB5	330P 50V [M]	C1033	ECEA0JKA470B	47 6.3V [M]			
C753	ECA1CM102E	1000 16V [M]	C943	ECBT1H331KB5	330P 50V [M]	C1034	ECQV1H474JM3	0.47 50V [M]			
C754	ECBT1E103ZF5	0.01 25V [M]	C944	ECA1EPXS100B	10 25V [M]	C1035	ECBT1H681KB5	680P 50V [M]			
C755	ECA1CM470B	47 16V [M]	C945	ECBT1H103ZF5	0.01 50V [M]	C1036	ECBT1H101KB5	100P 50V [M]			
C757	ECA1CM100B	10 16V [M]	C946	ECBT1H470J5	47P 50V [M]	C1037	ECBT1H101KB5	100P 50V [M]			
C758	ECEA1AKA101B	100 10V [M]	C947	ECBT1H470J5	47P 50V [M]	C1038	ECBT1H101KB5	100P 50V [M]			
C771	ECEA1HKA4R7B	4.7 50V [M]	C955	ECBT1H101KB5	100P 50V [M]	C1039	ECEA1CKA101B	100 16V [M]			
C772	ECEA1HKA4R7B	4.7 50V [M]	C962	ECBT1H561KB5	560P 50V [M]	C1040	ECEA1CKA100B	10 16V [M]			
C773	ECBT1H104ZF5	0.1 50V [M]	C963	ECBT1H102KB5	1000P 50V [M]	C1041	ECBT1E103ZF5	0.01 25V [M]			
C774	ECEA0JKA101B	100 6.3V [M]	C991	ECBT1H101KB5	100P 50V [M]	C1051	ECEA1HKA2R2B	2.2 50V [M]			
C775	ECEA1CKA100B	10 16V [M]	C992	ECBT1H101KB5	100P 50V [M]	C1052	ECEA1HKAR33B	0.33 50V [M]			
C776	ECEA1HKA010B	1 50V [M]	C993	ECBT1H101KB5	100P 50V [M]	C1053	ECEA1HKA3R3B	3.3 50V [M]			
C777	ECA1CM221B	220 16V [M]	C994	ECBT1H101KB5	100P 50V [M]	C1054	ECEA0JKA221B	220 6.3V [M]			
C778	ECEA1CKA101B	100 16V [M]	C995	ECBT1H101KB5	100P 50V [M]	C1055	ECEA1HKAR47B	0.47 50V [M]			
C779	ECEA1CKA101B	100 16V [M]	C996	ECBT1H101KB5	100P 50V [M]	C1056	ECFR1E823KR	0.082 25V [M]			
C780	ECA1CM471B	470 16V [M]	C997	ECEA1CKA100B	10 16V [M]	C1057	ECFR1E332KR	3300P 25V [M]			
C891	ECEA1CKA100B	10 16V [M]	C998	ECBT1E103ZF5	0.01 25V [M]	C1058	ECFR1E823KR	0.082 25V [M]			
C894	ECBT1H101KB5	100P 50V [M]	C1001	ECEA1HKA010B	1 50V [M]	C1059	ECEA1CKA101B	100 16V [M]			
C895	ECBT1H101KB5	100P 50V [M]	C1002	ECEA1HKA010B	1 50V [M]	C1060	ECBT1E223ZF5	0.022 25V [M]			
C901	ECEA0JU102B	1000 6.3V [M]	C1003	ECEA1HKA3R3B	3.3 50V [M]	C1062	ECBT1E223ZF5	0.022 25V [M]			
C902	ECBT1H104ZF5	0.1 50V [M]	C1004	ECEA1HKA3R3B	3.3 50V [M]	C1063	ECEA1CKA101B	100 16V [M]			
C903	ECBT1E103ZF5	0.01 25V [M]	C1005	ECEA1HKA010B	1 50V [M]	C1064	ECEA1HKA010B	1 50V [M]			
C904	ECEA0JU102B	1000 6.3V [M]	C1007	ECFR1E223KR	0.022 25V [M]	C1065	ECBT1H681KB5	680P 50V [M]			
C905	ECBT1E103ZF5	0.01 25V [M]	C1008	ECFR1E473KR	0.047 25V [M]	C1067	ECBT1C152KR5	1500P 16V [M]			
C906	ECEA0JKA101B	100 6.3V [M]	C1009	ECEA0JKA221B	220 6.3V [M]	C1068	ECBT1C152KR5	1500P 16V [M]			
C908	ECBT1E103ZF5	0.01 25V [M]	C1010	ECEA1CKA100B	10 16V [M]	C1151	ECEA1HKA010B	1 50V [M]			
C909	ECEA1VKA220B	22 35V [M]	C1011	ECEA1CKA100B	10 16V [M]	C1152	ECFR1C683KR	0.068 16V [M]			
C910	ECEA1VKA220B	22 35V [M]	C1012	ECEA1CKA100B	10 16V [M]	C1153	ECFR1C273KR	0.027 16V [M]			
C911	ECEA1VKA220B	22 35V [M]	C1013	ECEA1CKA100B	10 16V [M]	C1154	ECEA1VKA4R7B	4.7 35V [M]			
C912	ECEA1VKA220B	22 35V [M]	C1014	ECEA0JKA221B	220 6.3V [M]	C1156	ECBT1E103ZF5	0.01 25V [M]			
C913	ECEA1VKA100B	10 35V [M]	C1015	ECQV1H104JM3	0.1 50V [M]	C1157	ECBT1E103ZF5	0.01 25V [M]			

■ Packing Materials & Accessories

- Notes :**
- * Important safety notice : Components identified by \triangle mark have special characteristics important for safety. Furthermore, special parts which have purposes of fire-retardant (resistors), high-quality sound (capacitors), low-noise (resistors), etc. are used. When replacing any of components, be sure to use only manufacturer's specified parts shown in the parts list.
 - * The parenthesized in the Remarks columns specify the areas. (Refer to the cover page for area.)
 - * Parts without these indication can be used for all areas.
 - * The mark " (SF) " denotes standard part.
 - * [M] in Remarks column indicates parts supplied by MESA.
 - * Remote Control Unit : Supply period for three years from termination of production.
 - * Reference for O/I book languages are as follows :

Ar : Arabic	Cf : Canadian French	Co : Chinese (old)	Cn : Chinese (new)	Cz : Czech	Da : Danish
Du : Dutch	En : English	Fr : French	Ge : German	It : Italian	Ko : Korean
Po : Polish	Ru : Russian	Sp : Spanish	Sw : Swedish		

Ref No.	Part No.	Part Name & Description	Remarks	Ref No.	Part No.	Part Name & Description	Remarks	Ref No.	Part No.	Part Name & Description	Remarks
		PACKING MATERIALS				ACCESSORIES		A3	RQT4904-E	O/I BOOK R/C (En/Sp/Sw)	[M]E
P1	RPN1153	POLYFOAM	[M]	A1	EUR646497	REMOTE CONTROL	[M]	A3	RQT4905-R	O/I BOOK R/C (Ru/Cz/Po)	[M]E
P2	RPFX0005	MIRAMAT BAG	[M]	A1-1	UR64EC1987B	R/C BATTERY COVER	[M]	A3	RQT4906-D	O/I BOOK R/C (Ge/It/Fr)	[M]EG
P3	RPG4345	PACKING CASE	[M]E B E	A2	RJA0019-2K	AC CORD (SF) \triangle	[M]E G E	A3	RQT4907-H	O/I BOOK R/C (Du/Da)	[M]EG
P3	RPG4391	PACKING CASE	[M]EG	A2	VJA0733	AC CORD (SF) \triangle	[M]E B	A3	RQT4908-B	O/I BOOK R/C (En)	[M]E B
				A3	RQT4769-E	O/I BOOK (En/Sp/Sw)	[M]E	A4	RSA0007	FM ANTENNA	[M]
				A3	RQT4770-R	O/I BOOK (Ru/Cz/Po)	[M]E	A5	RSA0010	LOOP ANT UNIT	[M]
				A3	RQT4771-D	O/I BOOK (Ge/It/Fr)	[M]EG	A6	SJP9009	ANT ADAPTER	[M]E B
				A3	RQT4772-H	O/I BOOK (Du/Da)	[M]EG				
				A3	RQT4773-B	O/I BOOK (En)	[M]E B				

■ Packaging

